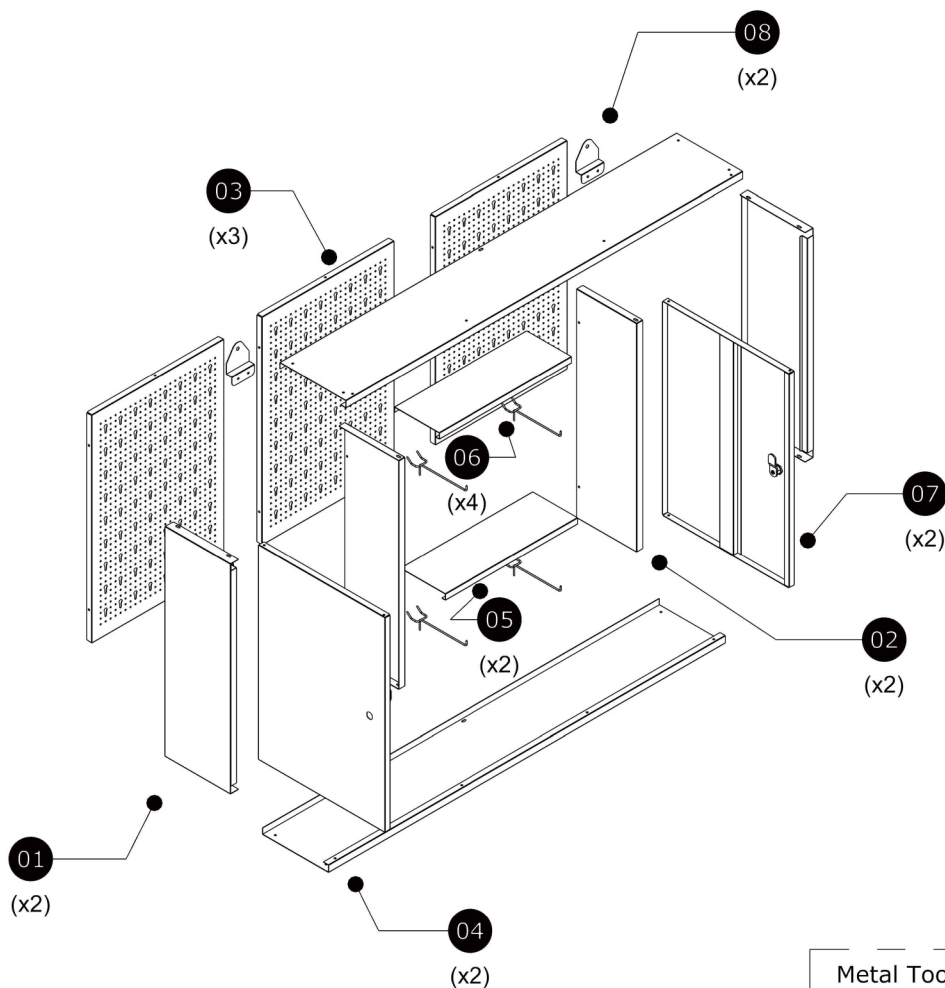


Závěsná skříňka ESAY 3  
0603060120020712740

# Bill of Material

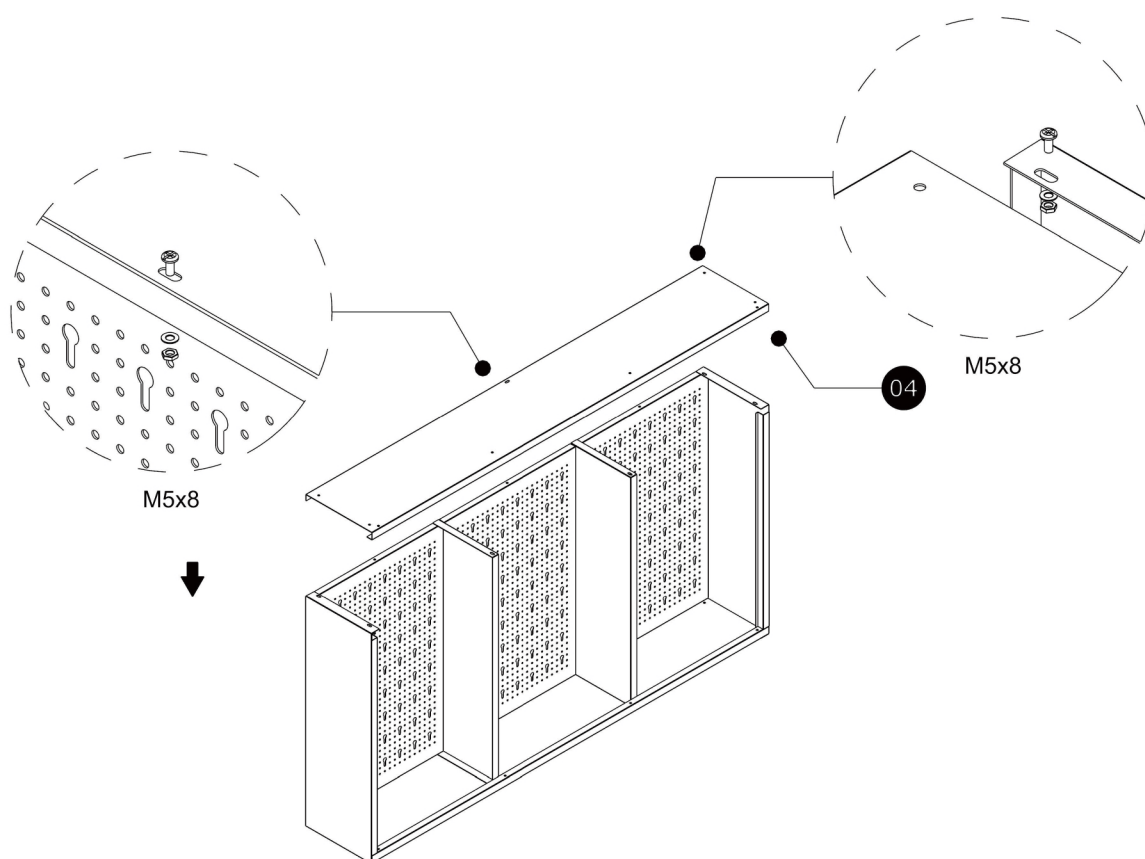
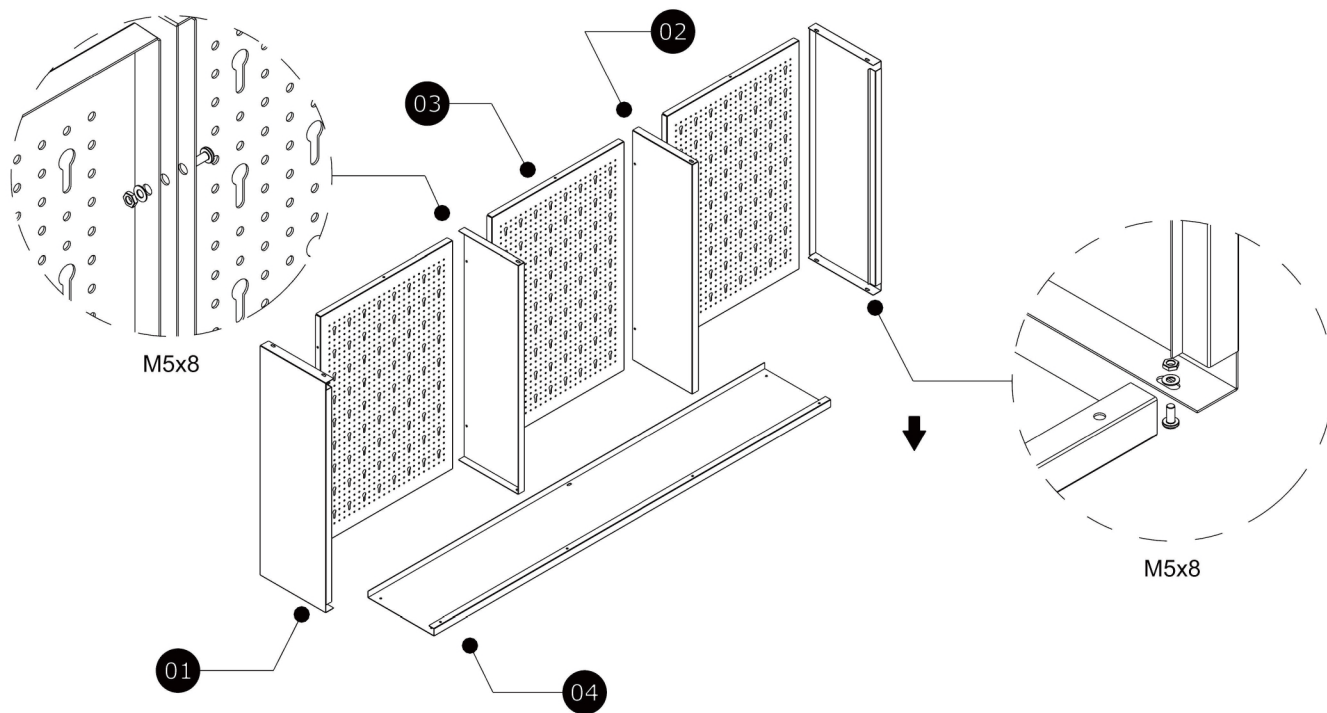
No.	Parts	Dimension in mm (LxWxD)	Quantity
01	Side Board	598x198x27	2
02	Middle Side Board	598x182x18	2
03	Back Board	596x398x15	3
04	Bottom /Top Board	1197x200 x18	2
05	Clapboard	396 x140 x15	2
06	Supporting Frames	φ4	4
07	Door	561x380x15	2
08	Hanger	90x68x22	2

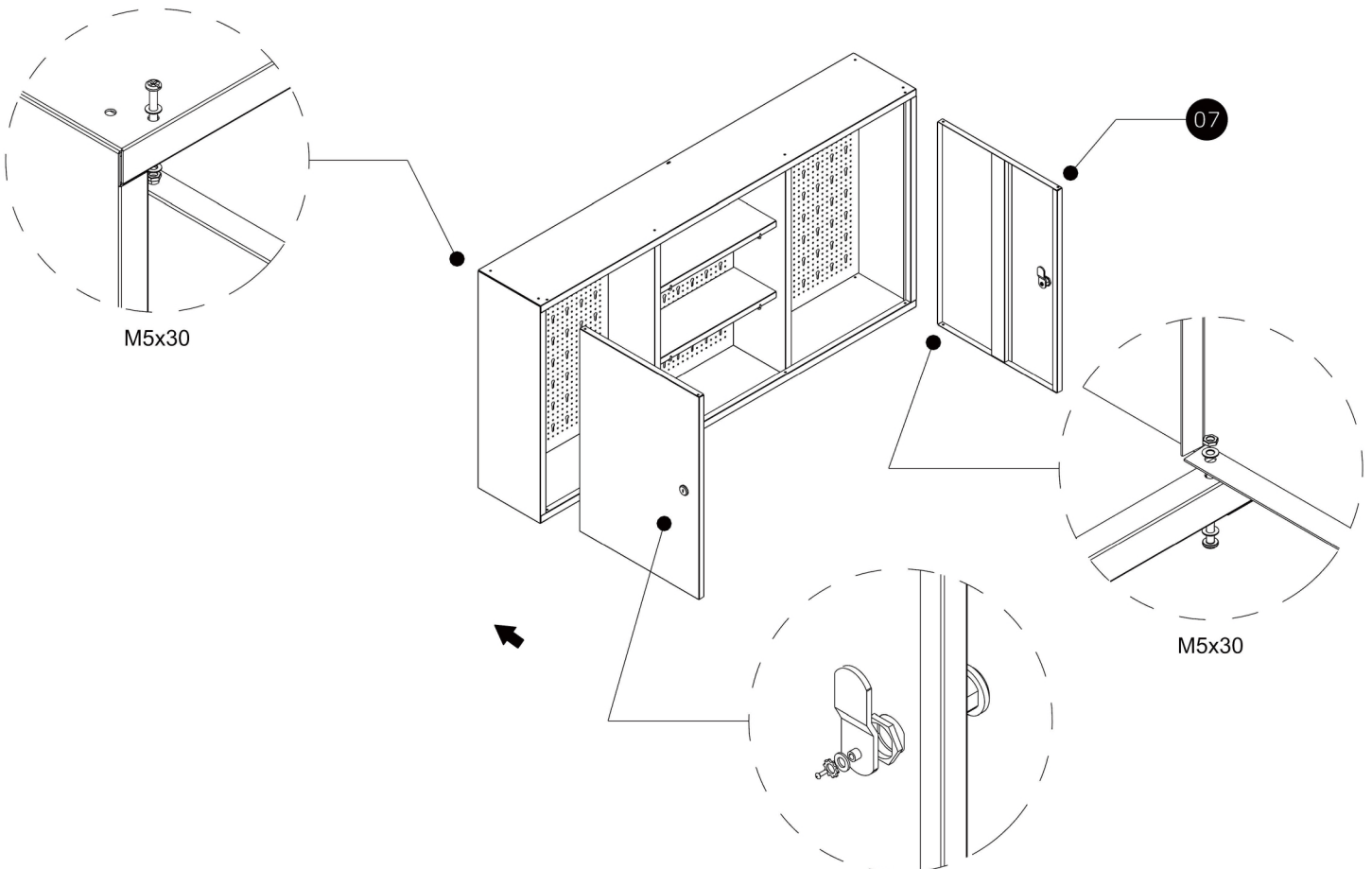
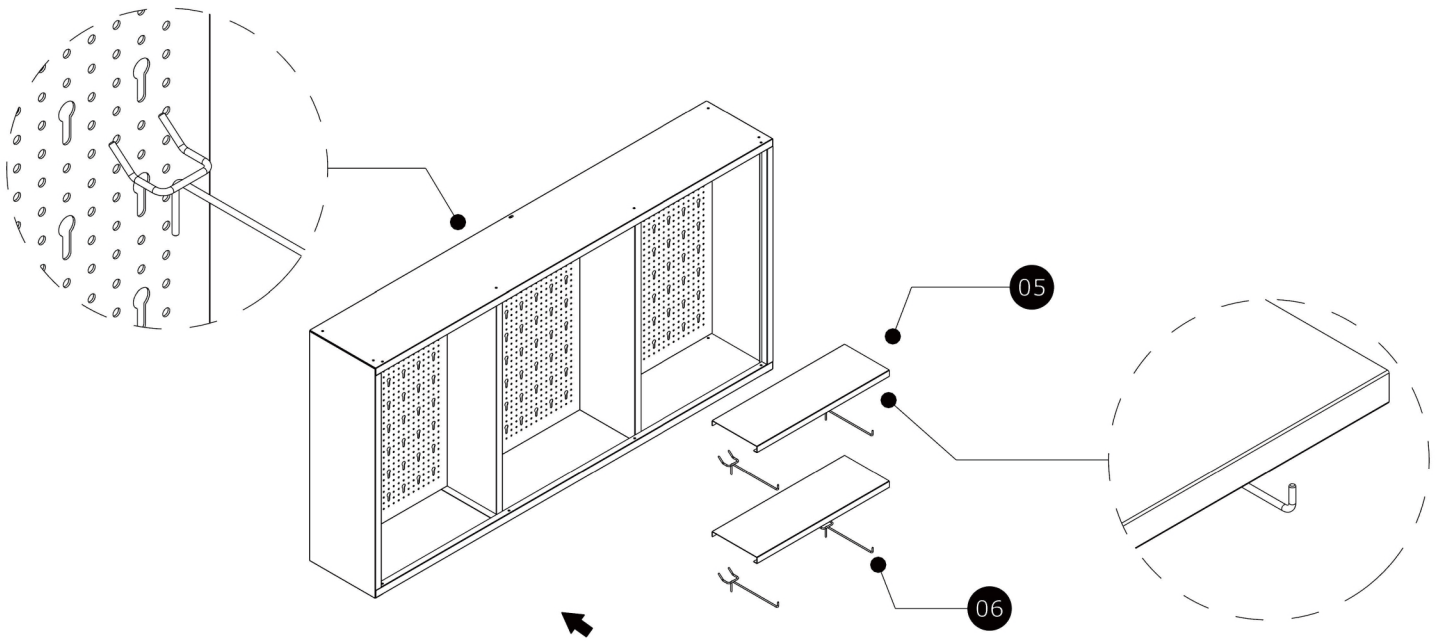
## Explosive Drawing

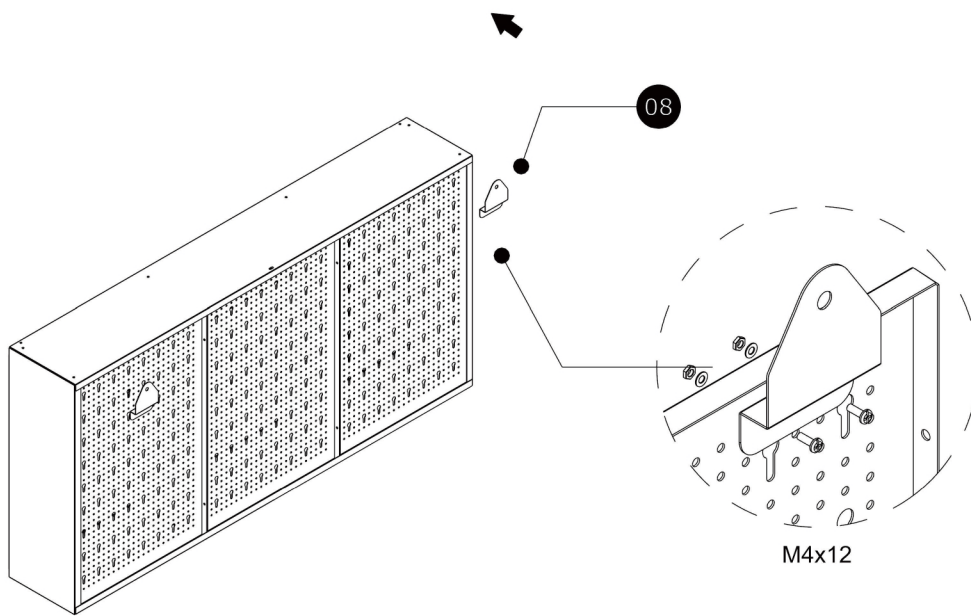


-  M5x8
-  M4x12
-  M5x30

Metal Tool Cabinet with 2 Doors Detail







Finish

