

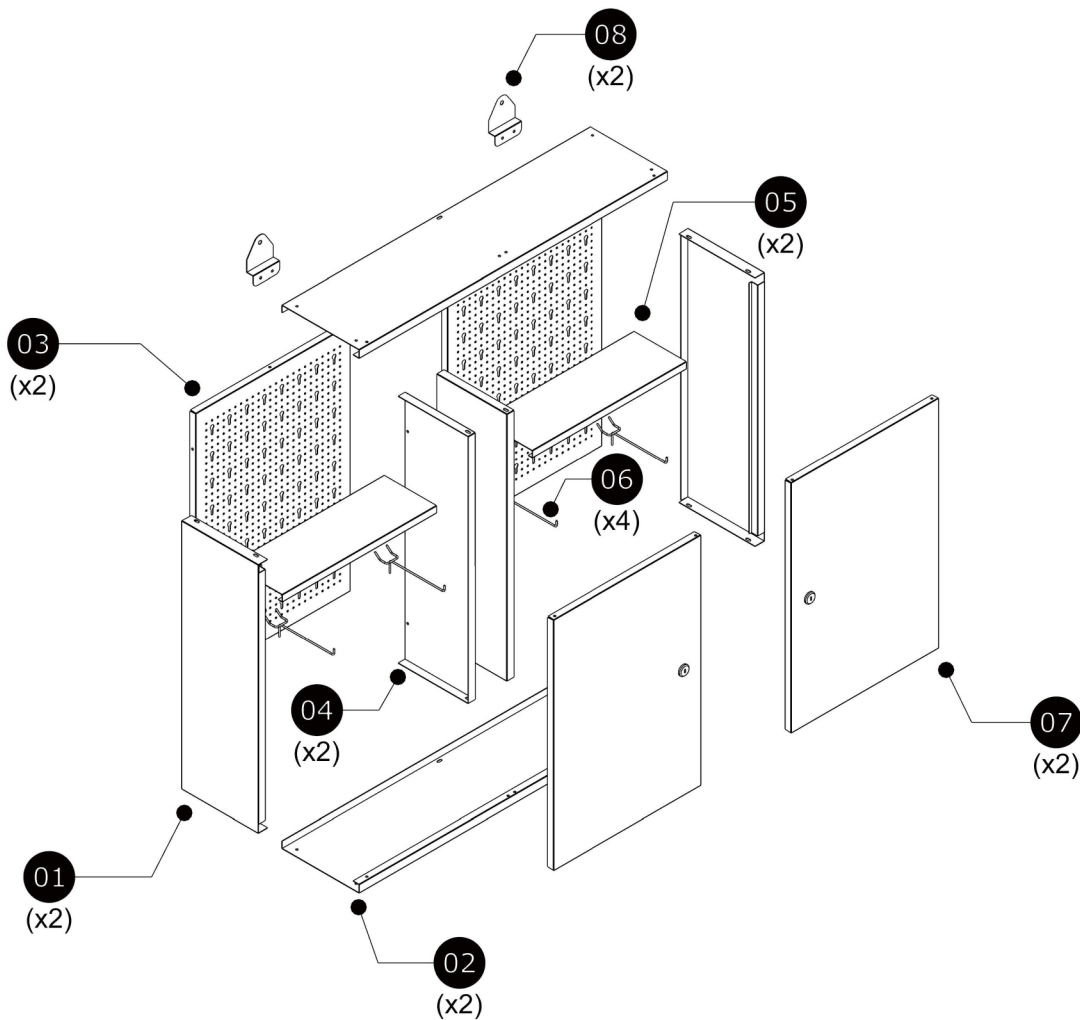


Závěsná skříňka ESAY 2  
0602060080020712740

# Bill of Material

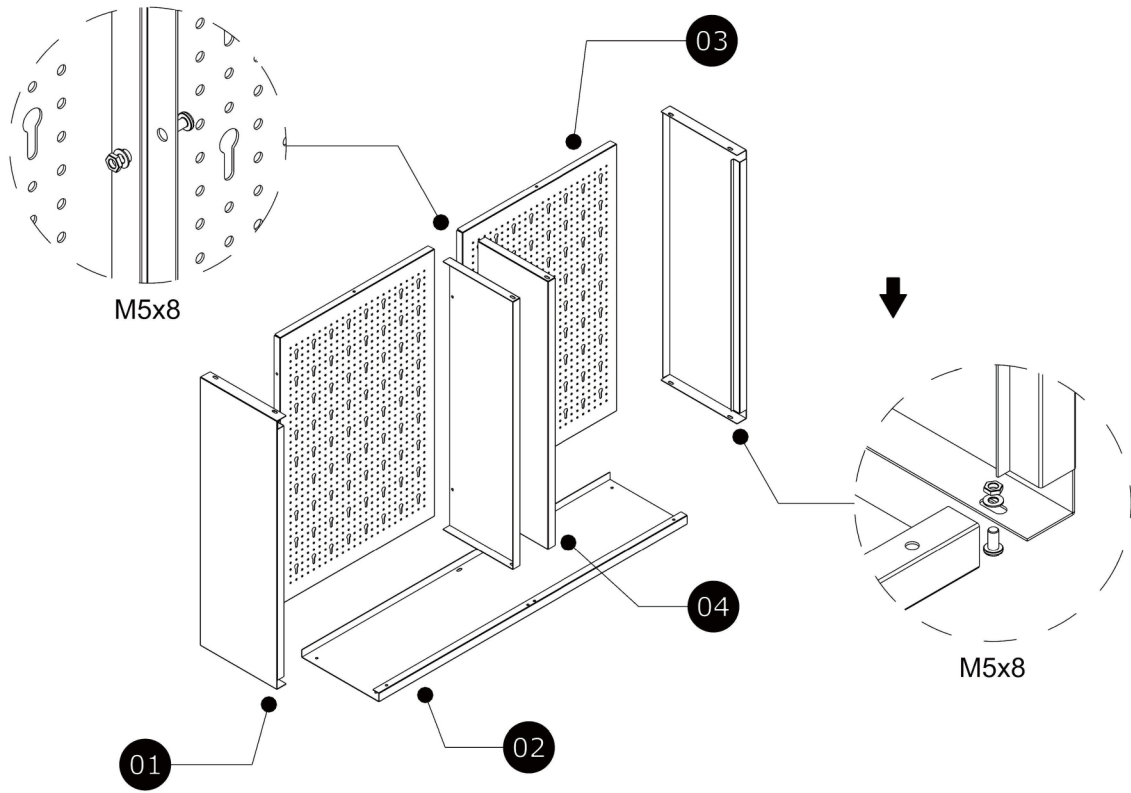
No.	Parts	Dimension in mm (LxWxD)	Quantity
01	Side Board	598x198x27	2
02	Bottom /Top Board	801x200x18	2
03	Back Board	596x398x15	2
04	Middle Side Board	598x182x18	2
05	Clapboard	396x140x15	2
06	Supporting Frames	φ4	4
07	Door	591x380x15	2
08	Hanger	90x68x22	2

# Explosive Drawing

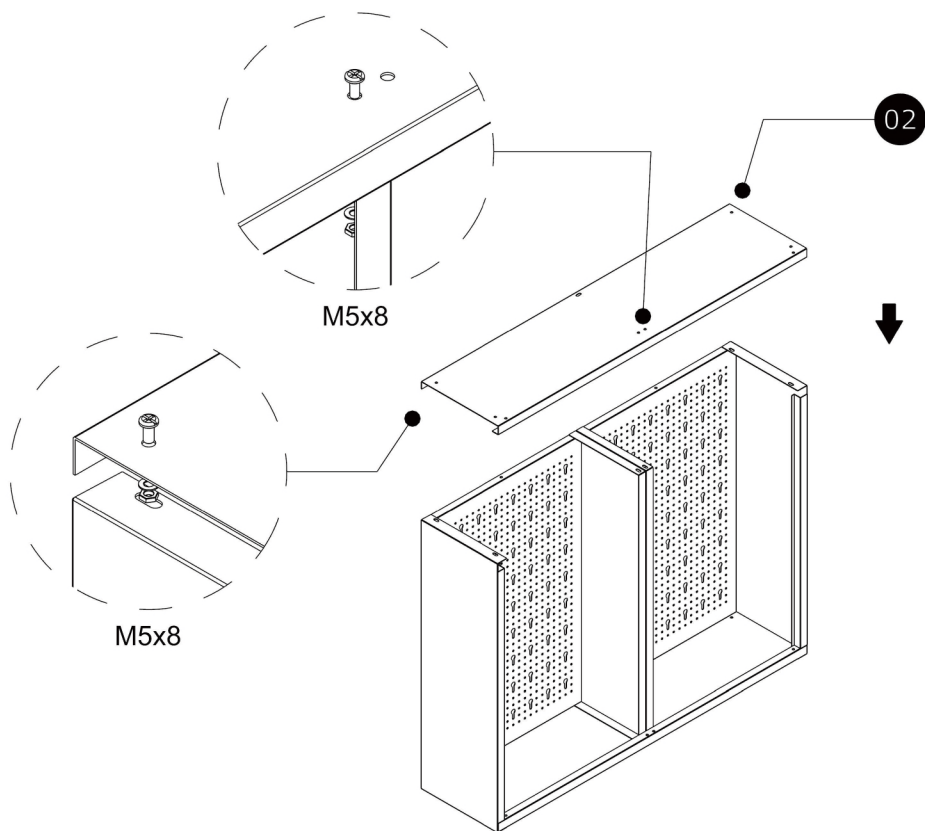


-  M5x8
-  M4x12
-  M5x30

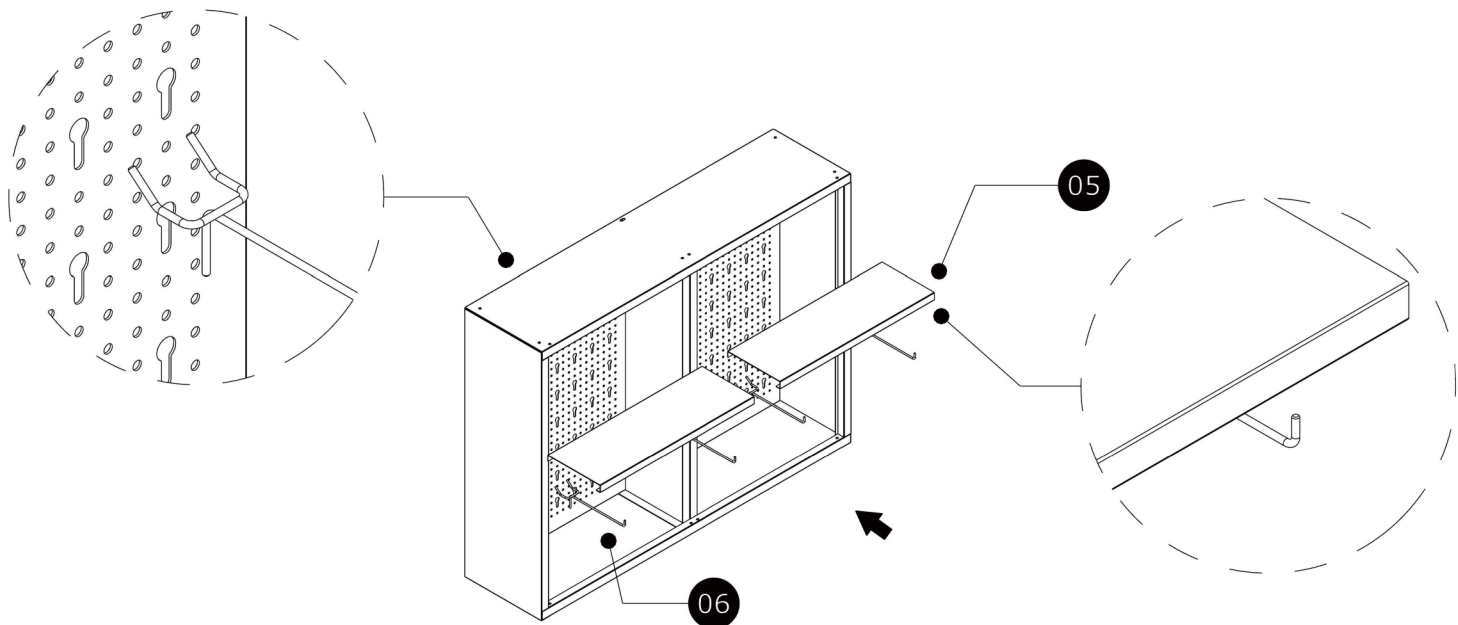
Metal Tool Cabinet with 2 Doors Detail



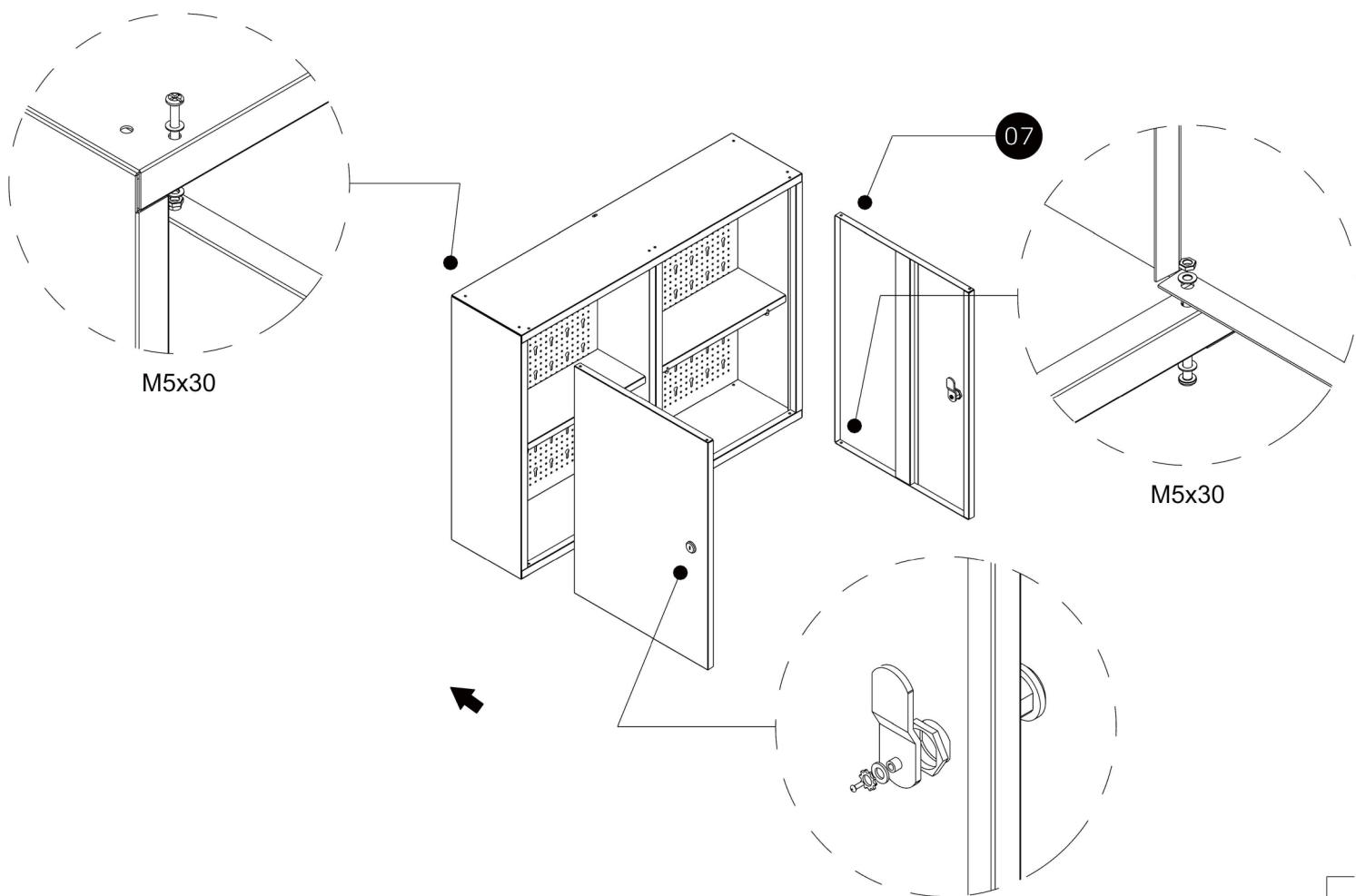
01



02



03



04



