

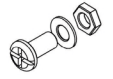
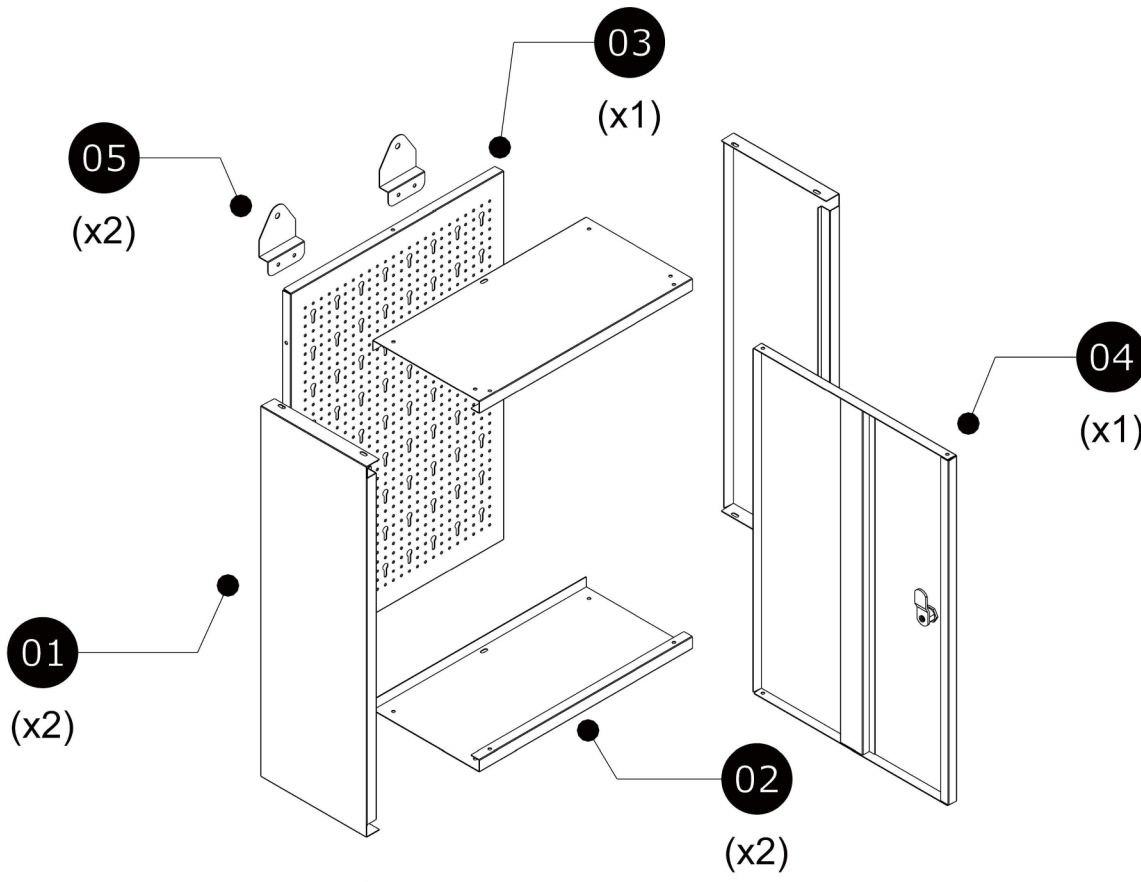


Závěsná skříňka ESAY 1  
0601060040020712740

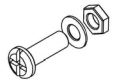
# Bill of Material

No.	Parts	Dimension in mm (LxWxD)	Quantity
01	Side Board	598x198x27	2
02	Bottom /Top Board	418x200x18	2
03	Back Board	596x398x15	1
04	Door	561x380x15	1
05	Hanger	90x68x22	2

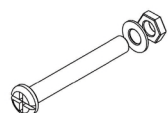
## Explosive Drawing



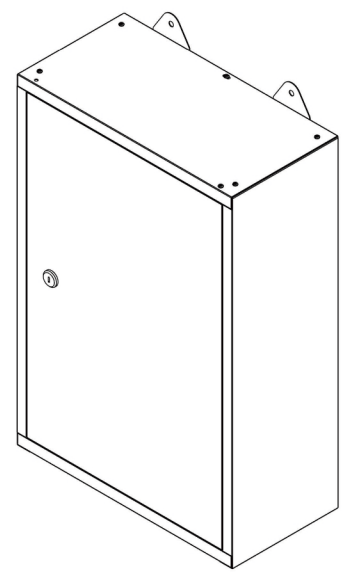
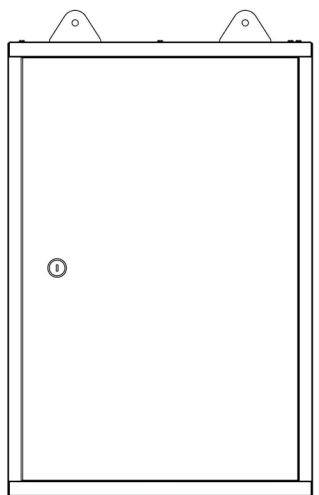
M5x8



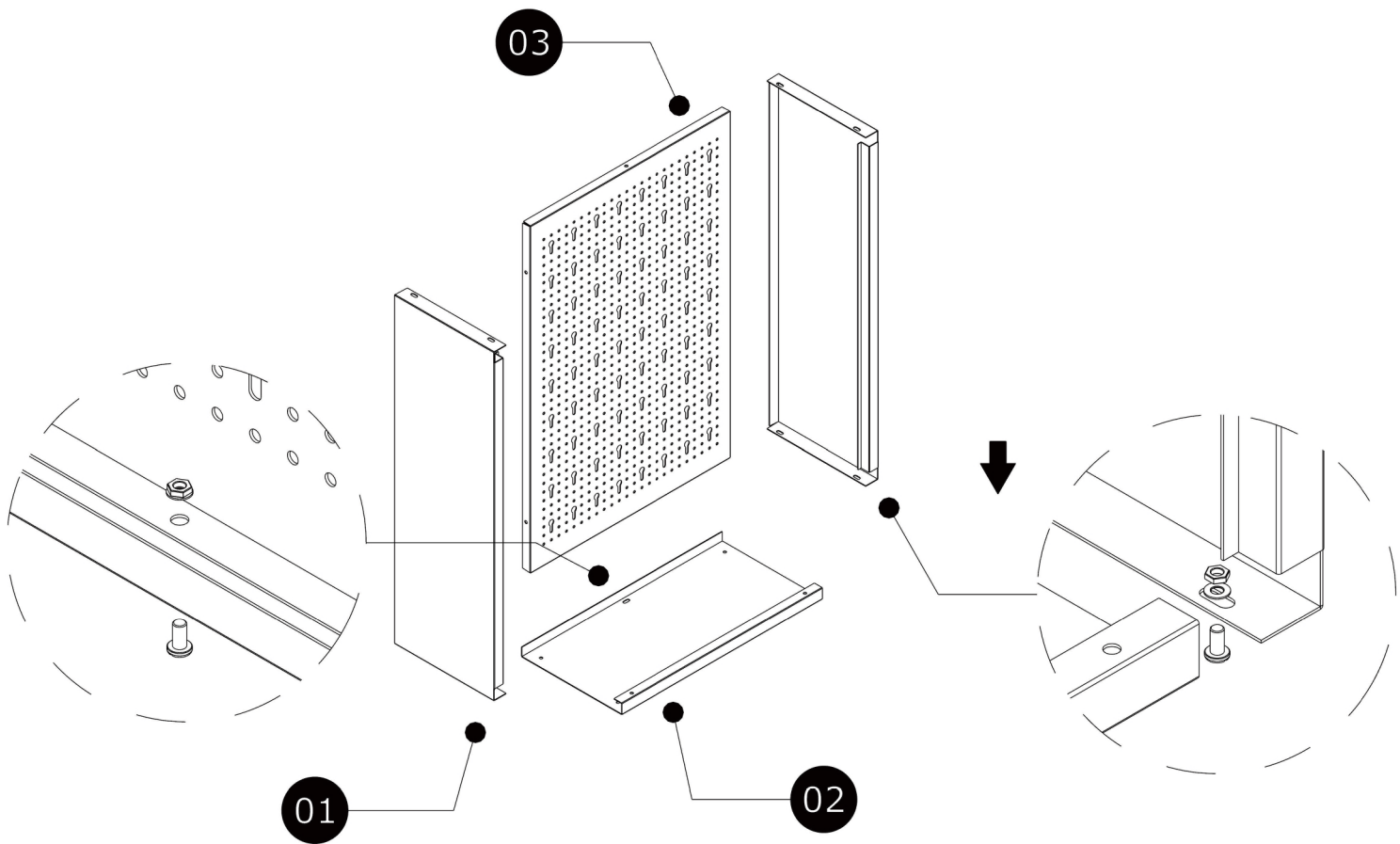
M4x12



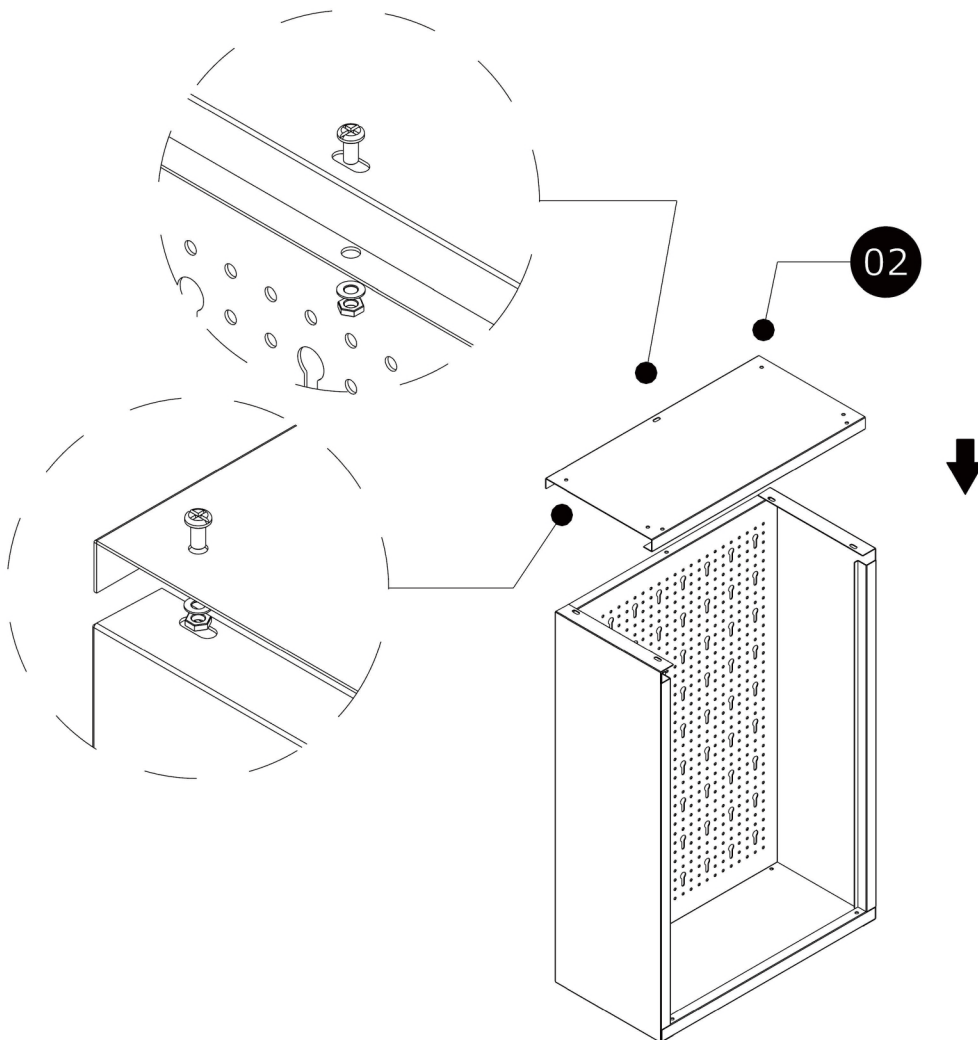
M5x30



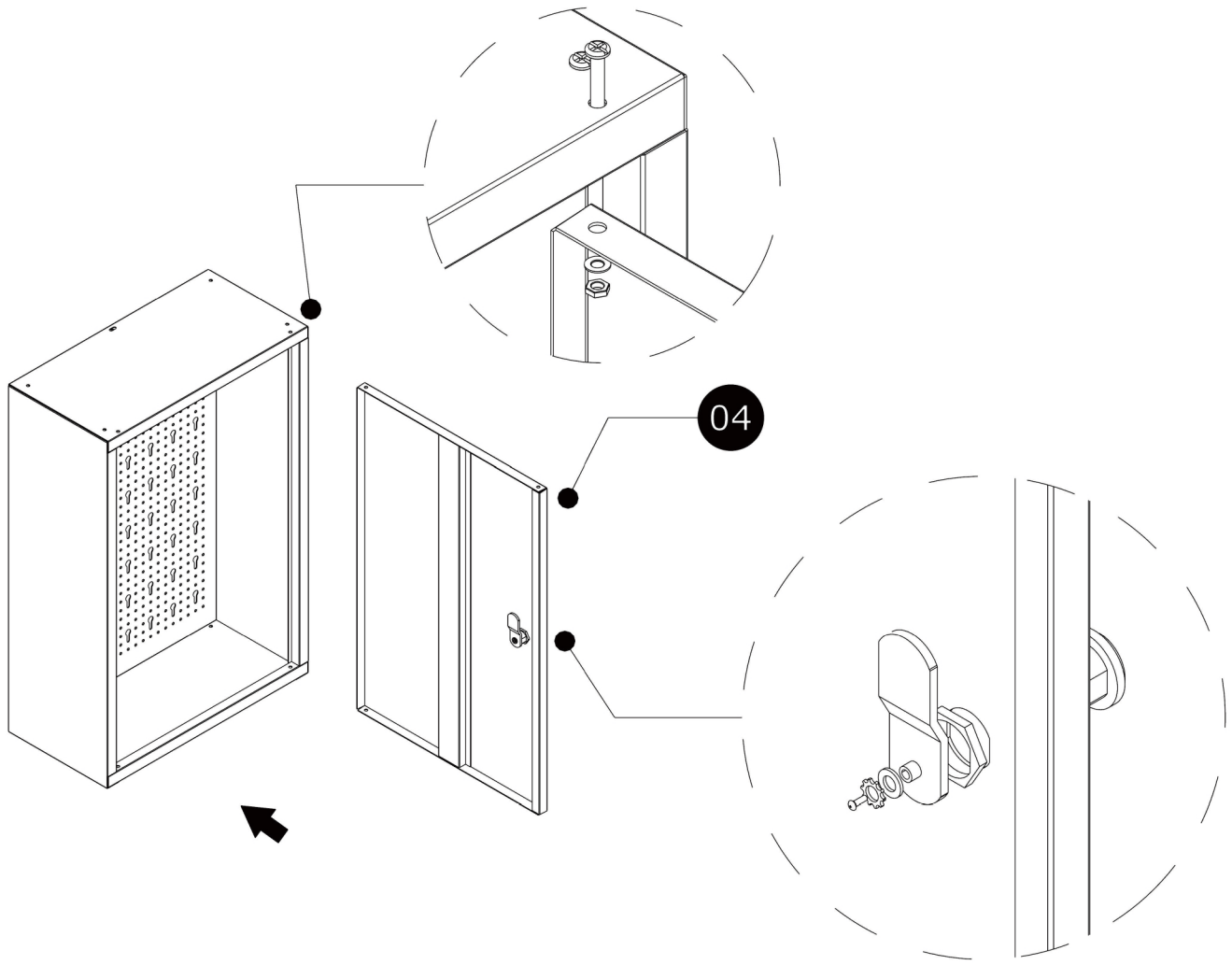
Metal Tool Cabinet with 1 Doors Detail



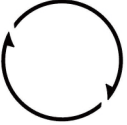
01

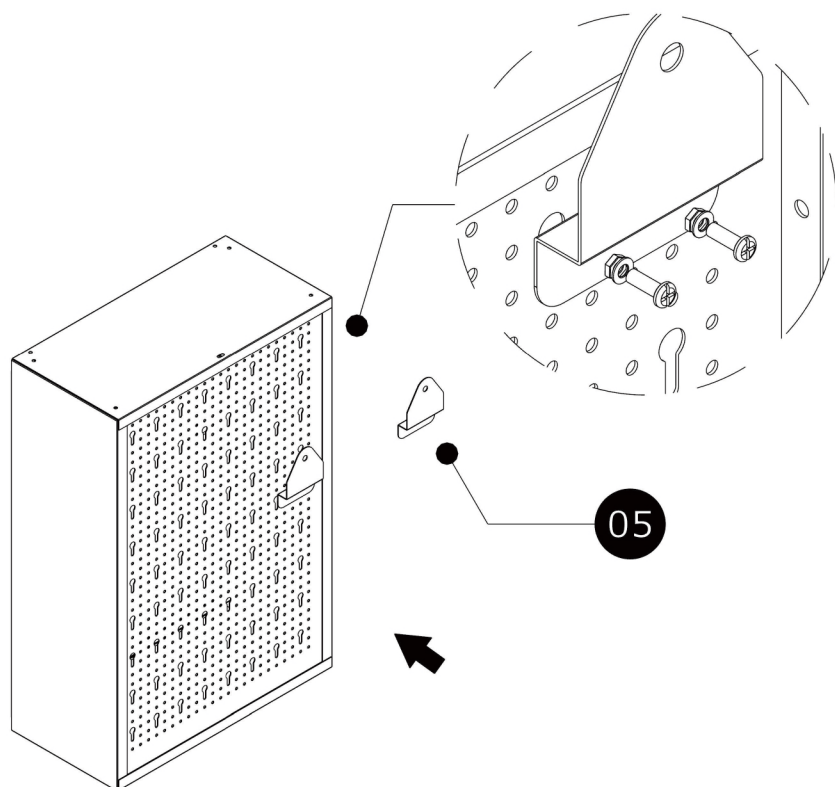


02



03

  
Rear View



04