

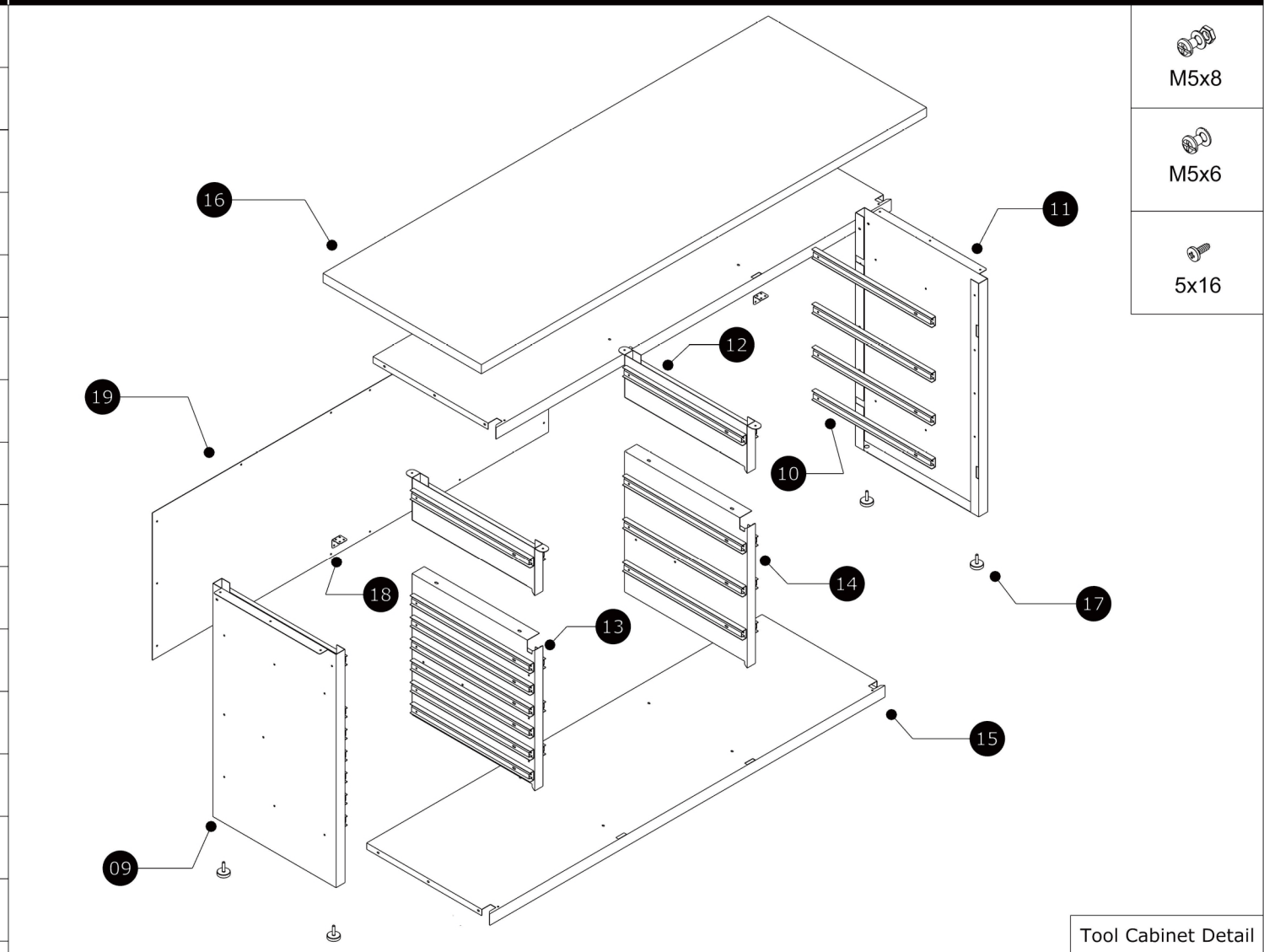


Dílenský pracovní stůl EASY 6
0506082160060712740

Bill of Material

Explosive Drawing

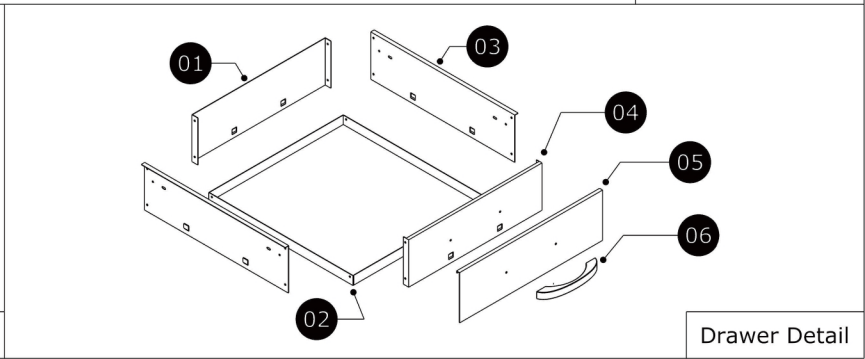
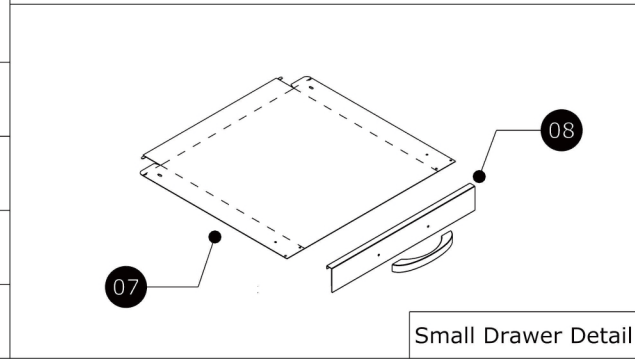
No.	Parts	Dimension in mm (LxWxD)	Quantity
01	Drawer Back	438x125x19	9
02	Drawer Bottom	442x429x22	9
03	Drawer Side	428x126x10	18
04	Drawer Front	438x125x17	9
05	Drawer Surface Panel	457x139x15	9
06	Drawer Handle	44x198x22	15
07	Small Drawer	439x431x55	6
08	Small Drawer Surface Panel	457x69x15	6
09	Side Board 1	770x467x65	1
10	Drawer Slide	35x460x9	30
11	Side Board 2	770x467x65	1
12	Upper Middle Side Board	522x144x30	2
13	Bottom Middle Side Board 1	462x462x30	1
14	Bottom Middle Side Board 2	462x462x30	1
15	Shelf Board	1523x464x37	2
16	Wooden Worktop	1600x600x32	1
17	Height Adjustable Leveler	φ36	4
18	Mounting Angle	30x30x1.2	2
19	Back Board	1518x482x0.6	1



M5x8

M5x6

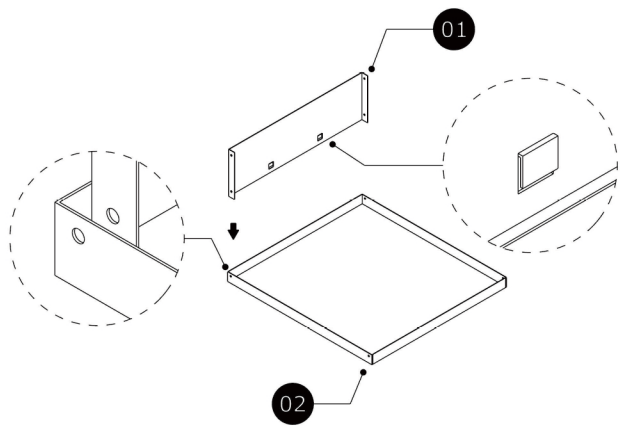
5x16



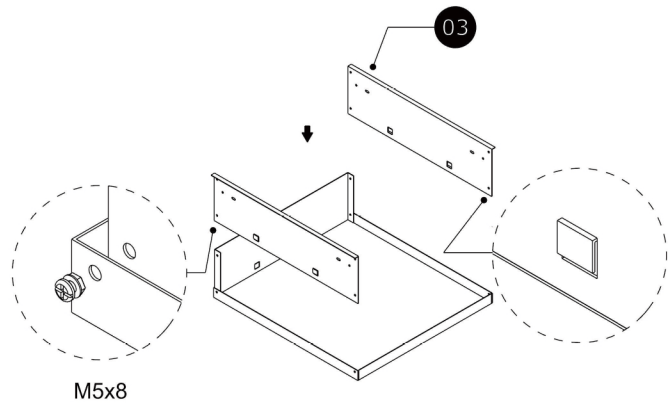
Tool Cabinet Detail

Small Drawer Detail

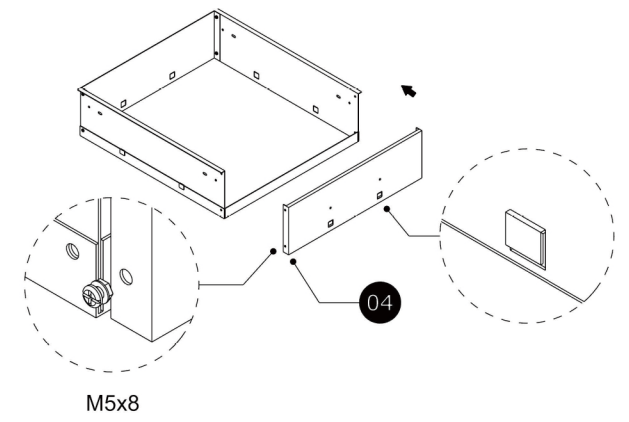
Drawer Detail



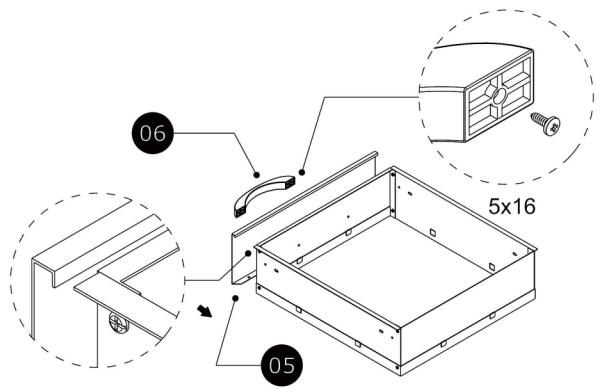
01



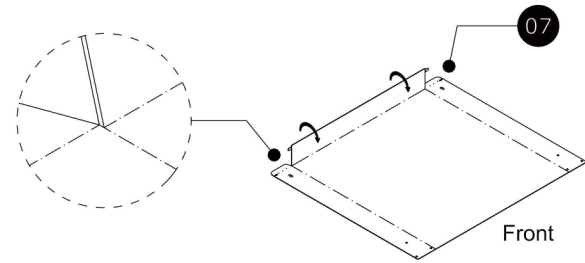
02



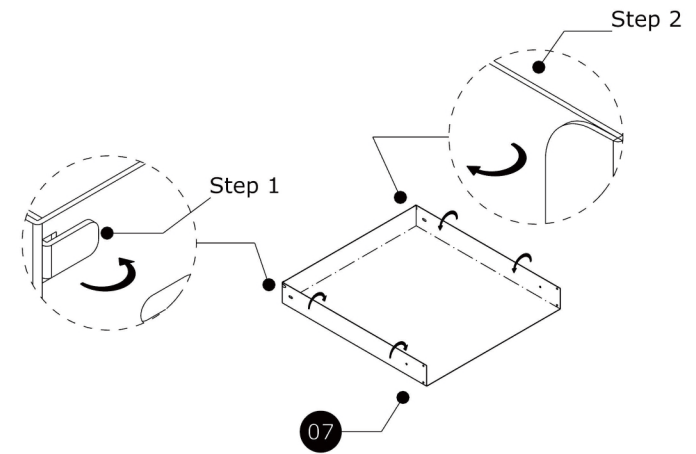
03



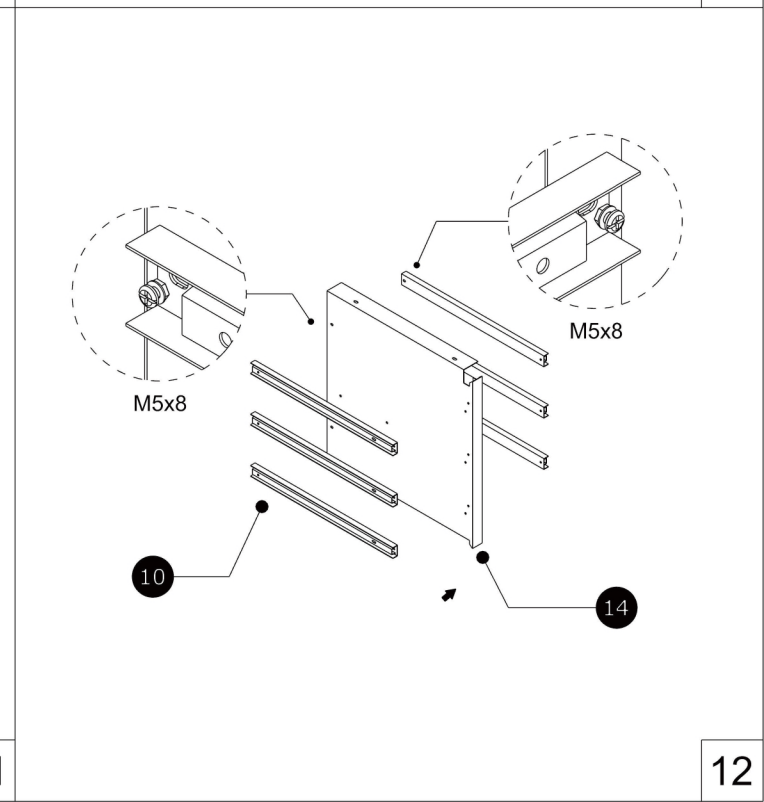
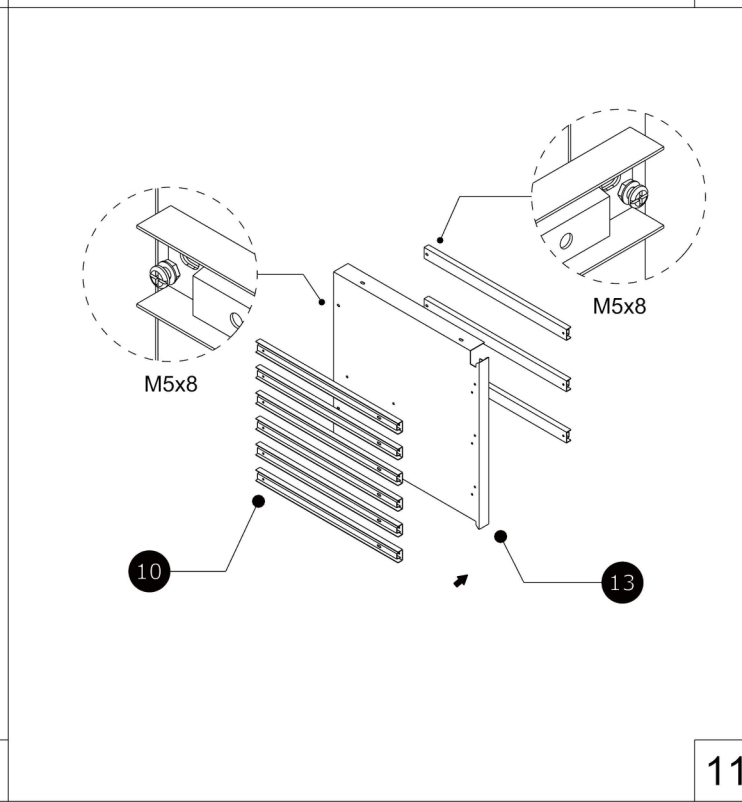
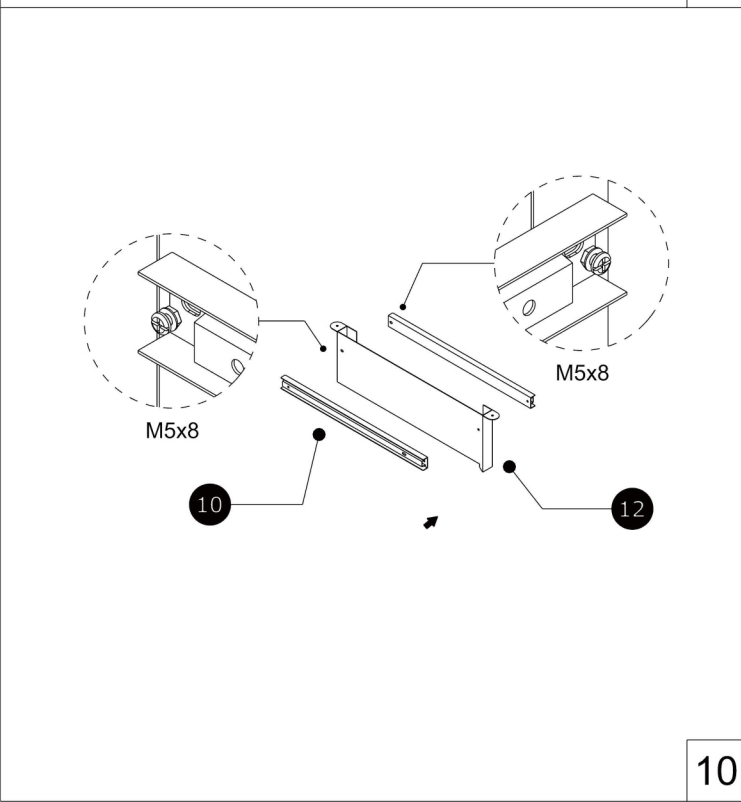
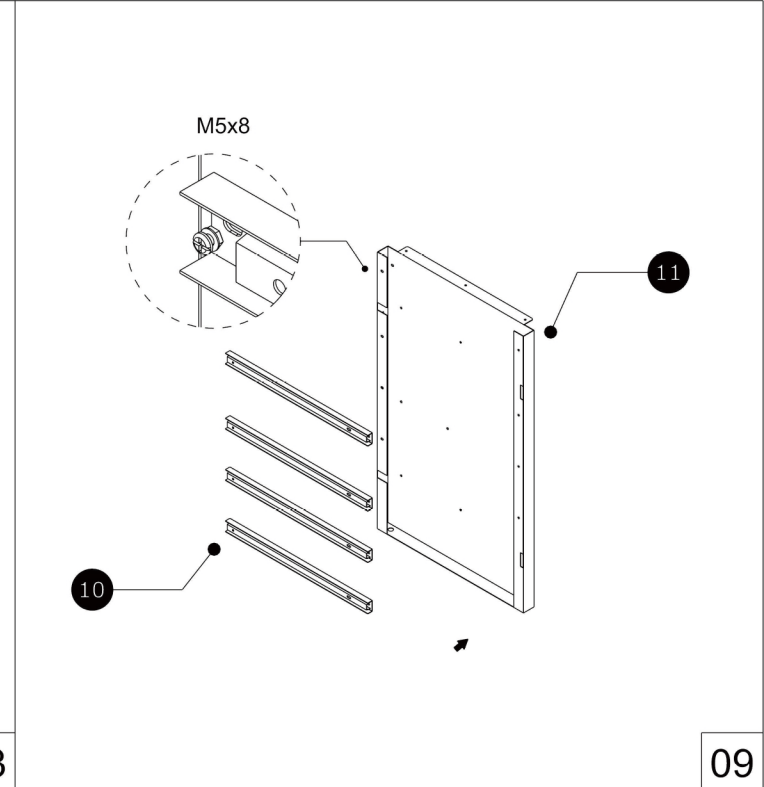
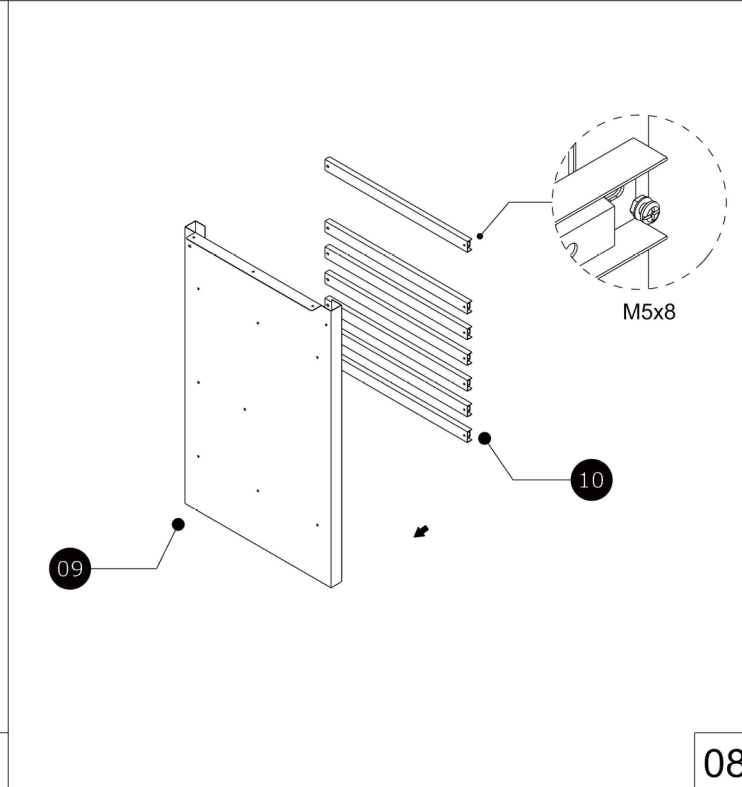
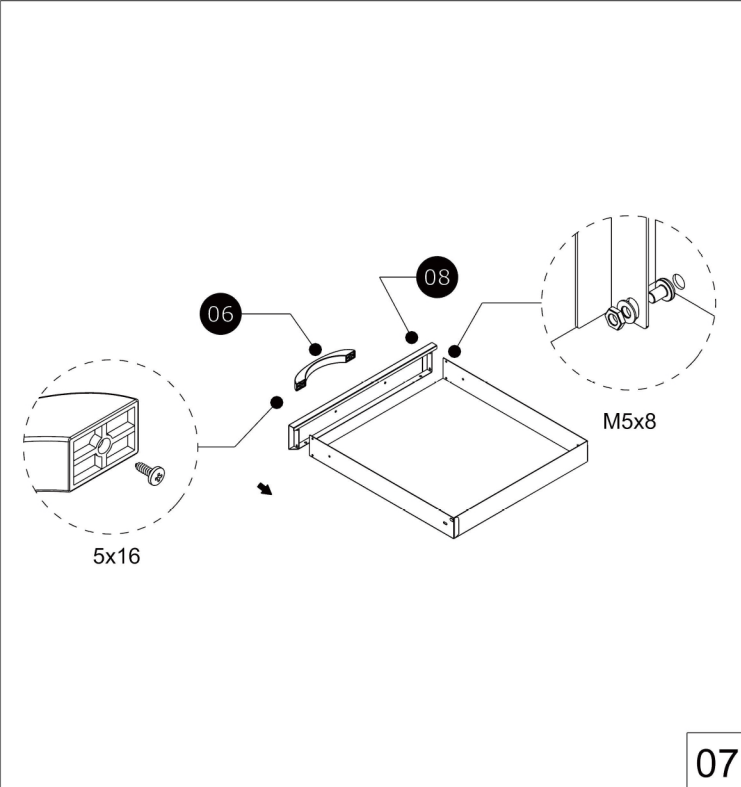
04

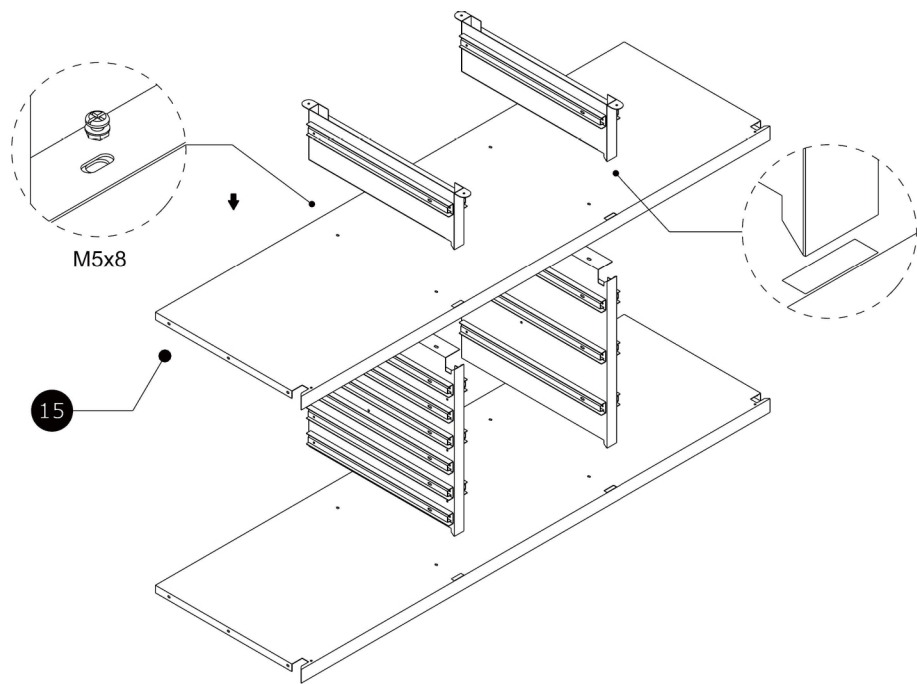


05

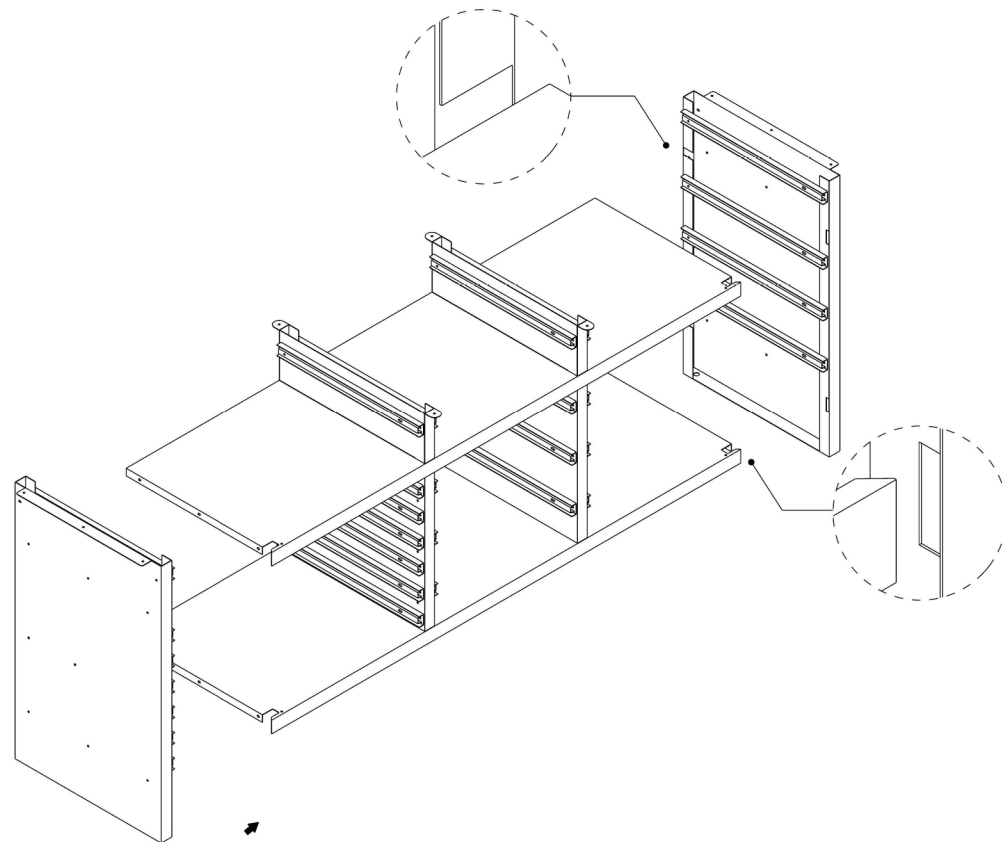


06

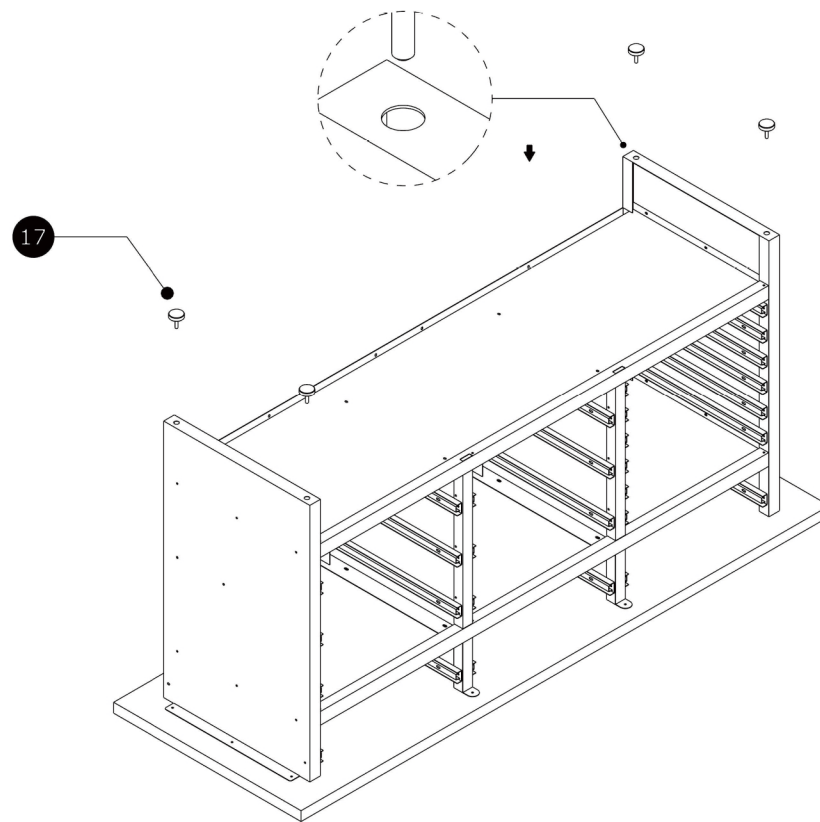
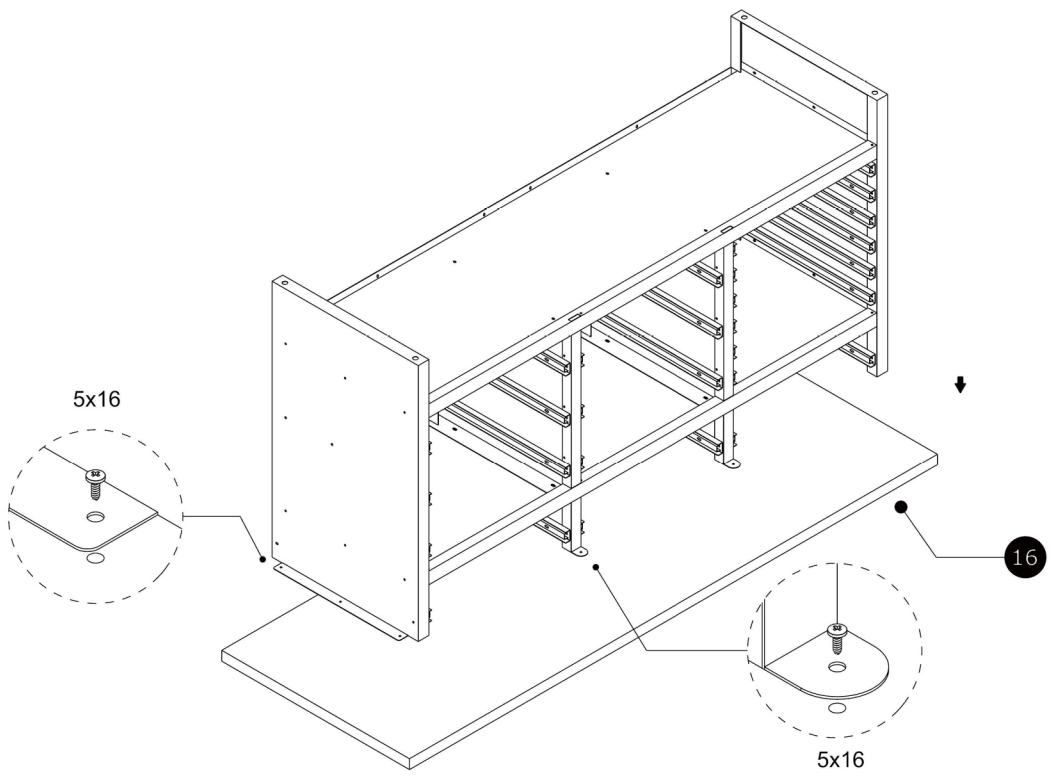


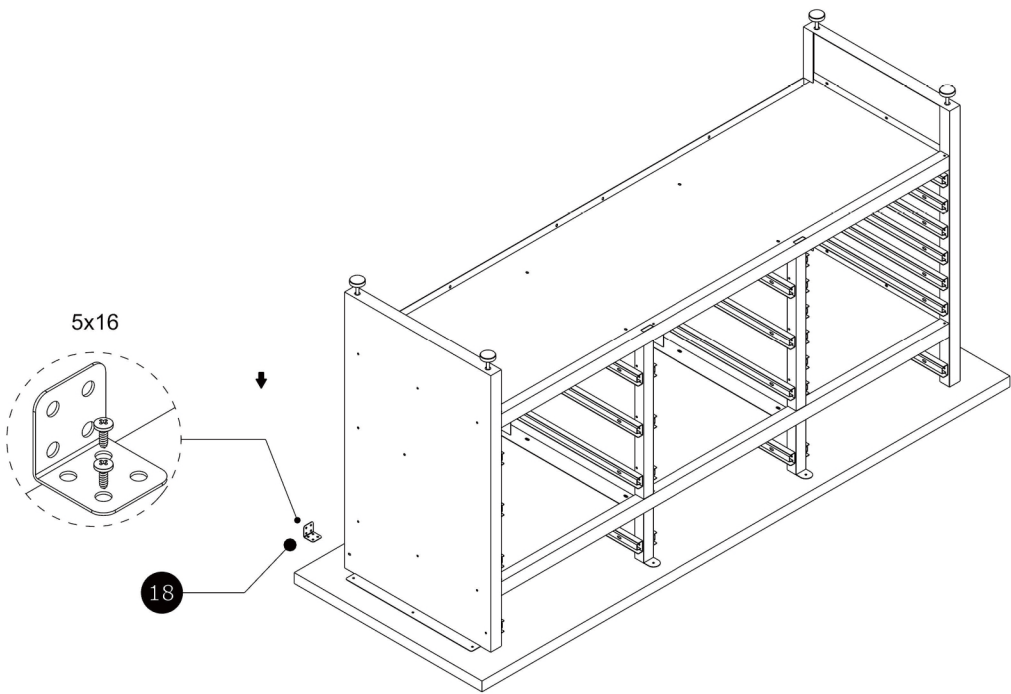


13

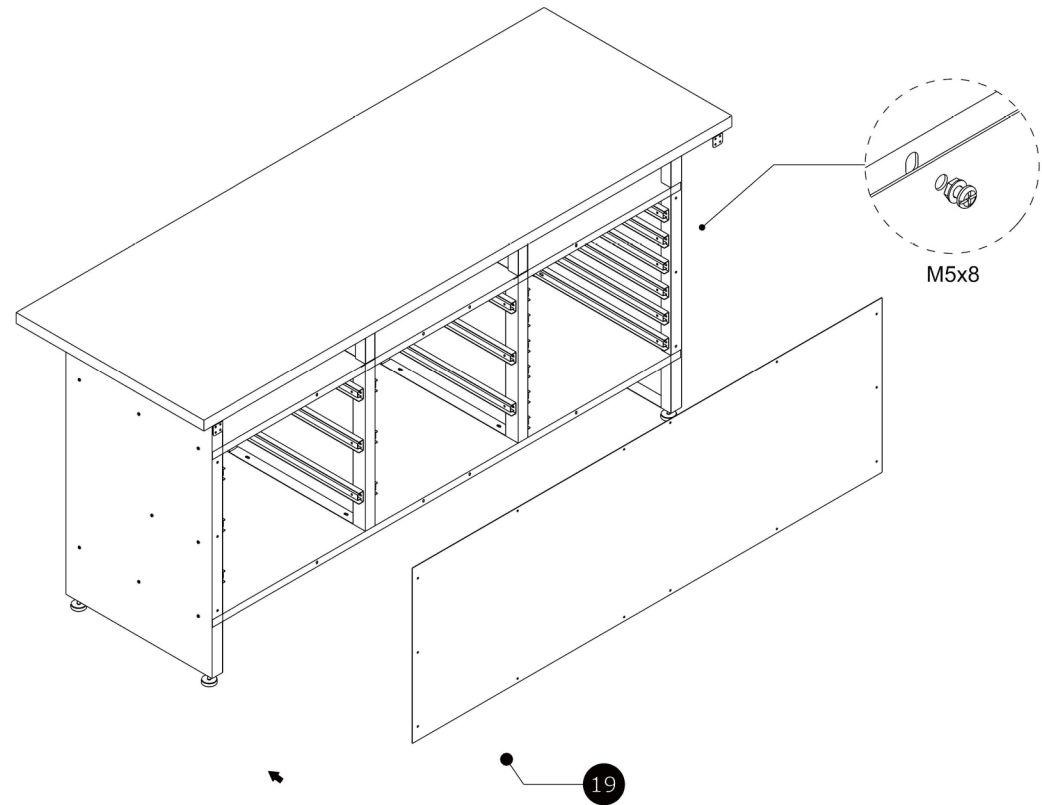


14





17



18

