

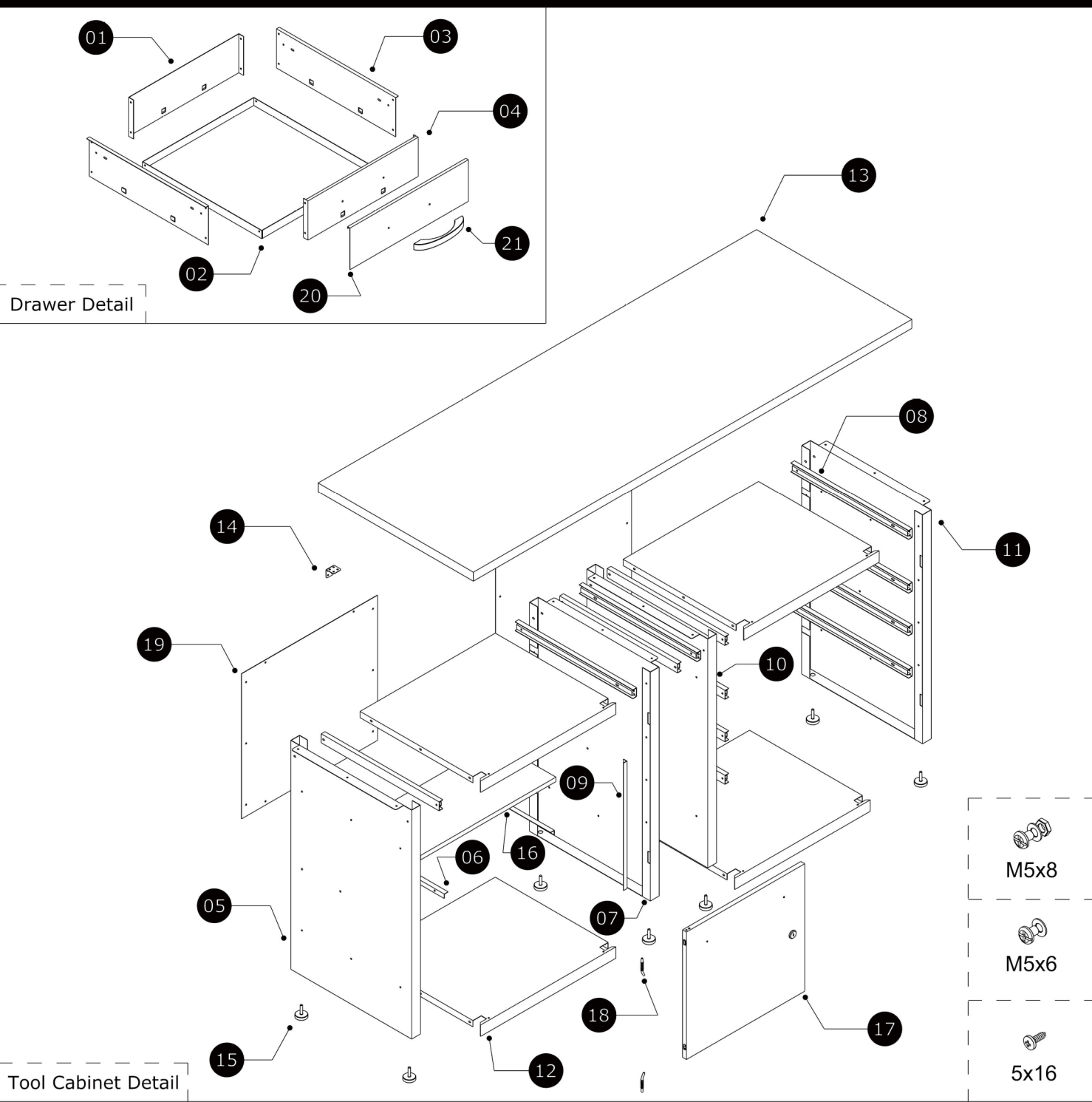


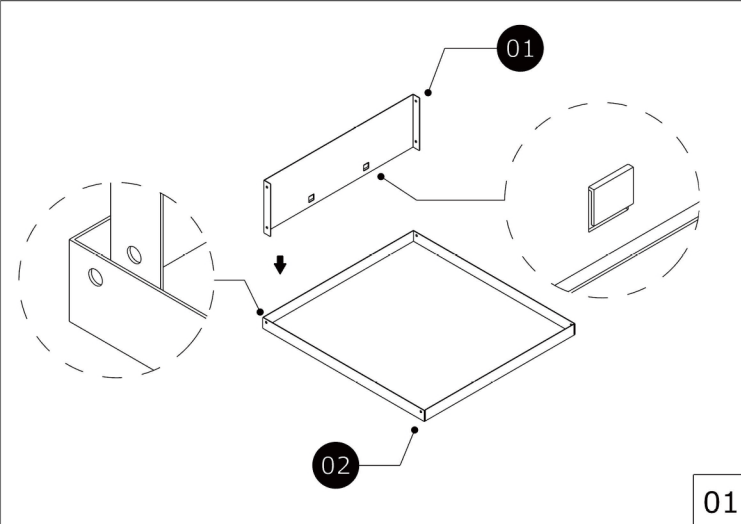
Dílnský pracovní stůl EASY 4  
0504082160060712740

# Bill of Material

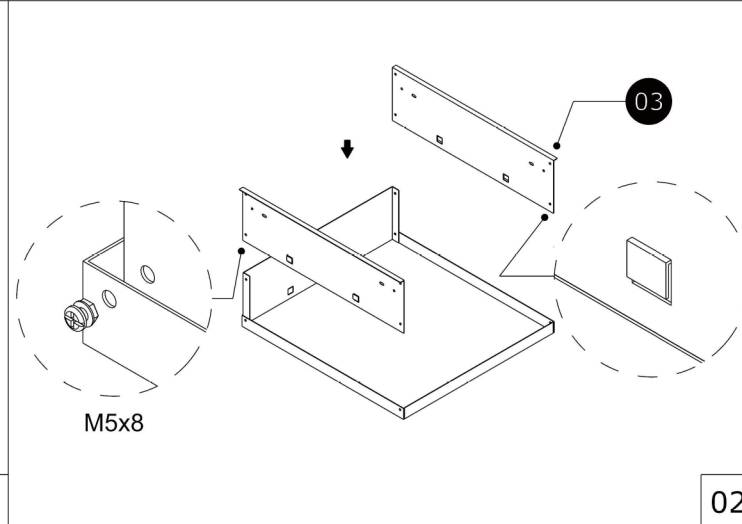
# Explosive Drawing

No.	Parts	Dimension in mm (LxWxD)	Quantity
01	Drawer Back	438x125x19	6
02	Drawer Bottom	442x429x22	6
03	Drawer Side	428x126x10	6
04	Drawer Front	438x125x17	6
05	Side Board 1	770x467x65	1
06	L-Plate	210x15x15	2
07	Side Board 2	770x467x65	1
08	Drawer Slide	35x460x9	12
09	Door Stop Trail	418x18x12	1
10	Side Board 3	770x467x65	1
11	Side Board 4	770x467x65	1
12	Shelf Board	535x464x37	4
13	Wooden Worktop	1600x600x30	1
14	Mounting Angle	30x30x1.2	2
15	Height Adjustable Leveler	Ø36	8
16	Clapboard	533x223x15	1
17	Door	460x423x15	1
18	Door Spindle	50xØ5	2
19	Back Board	530x482x0.6	2
20	Drawer Surface Panel	457x139x15	6
21	Drawer Handle	44x198x22	6

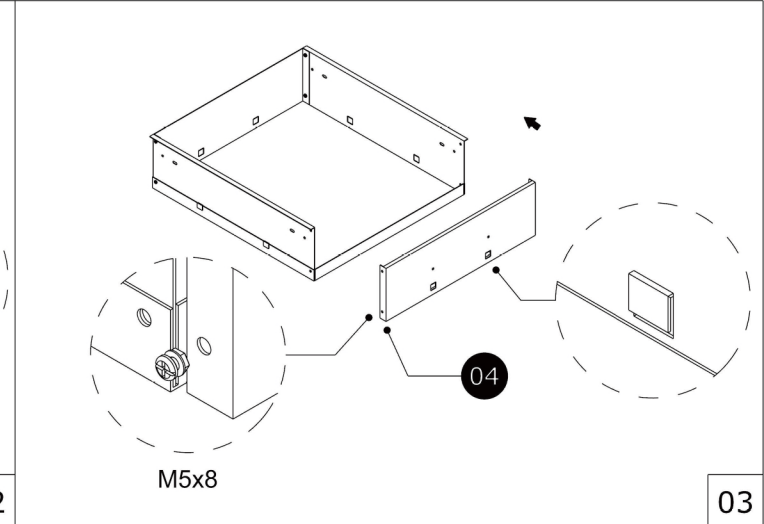




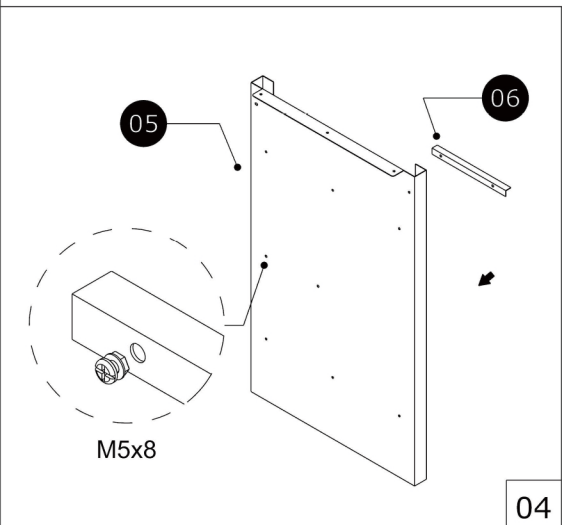
01



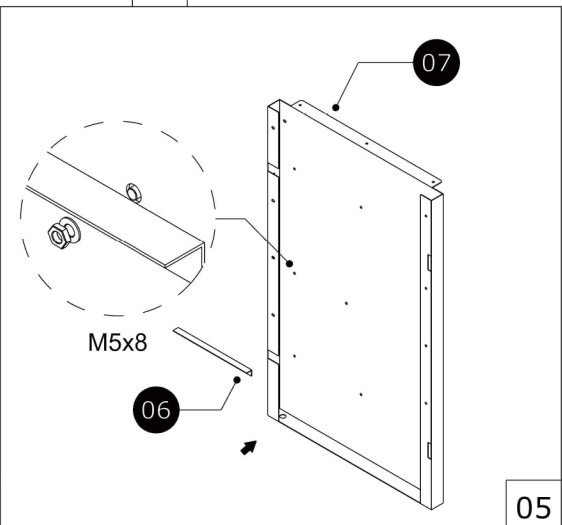
02



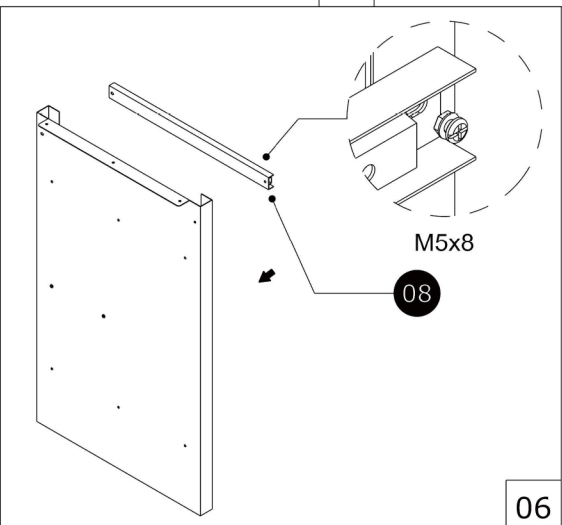
03



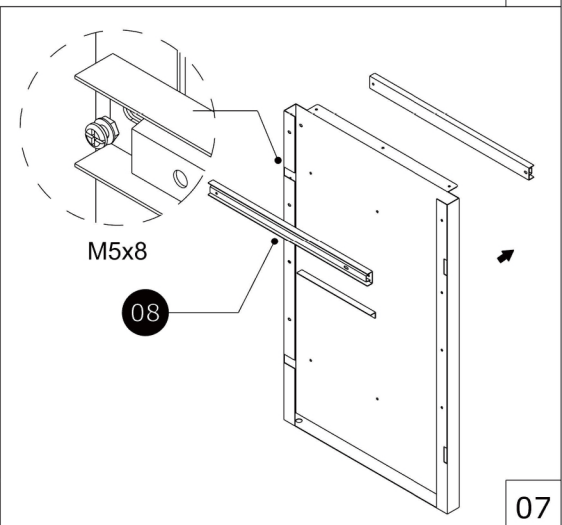
04



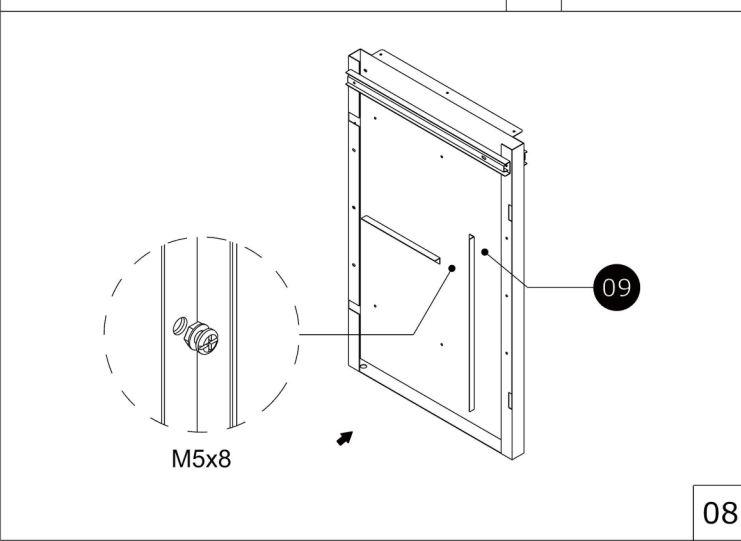
05



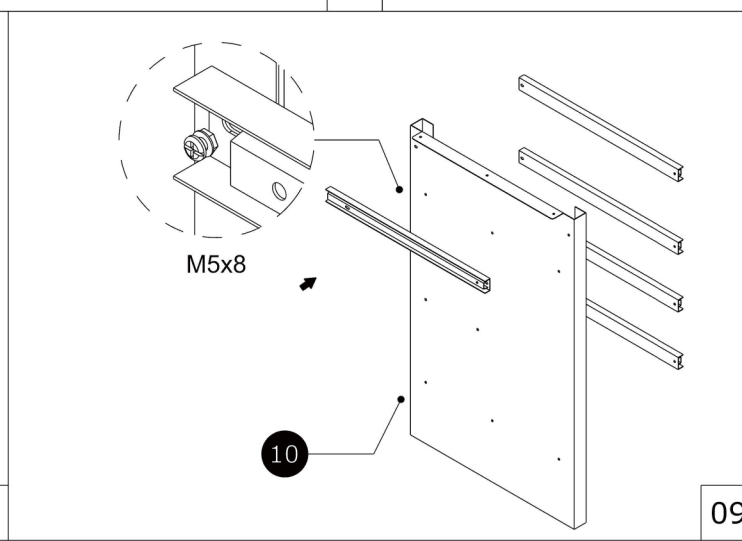
06



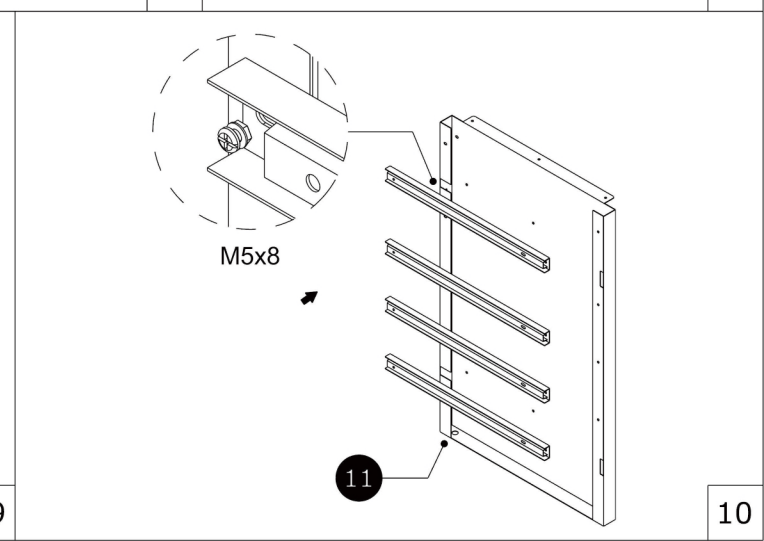
07



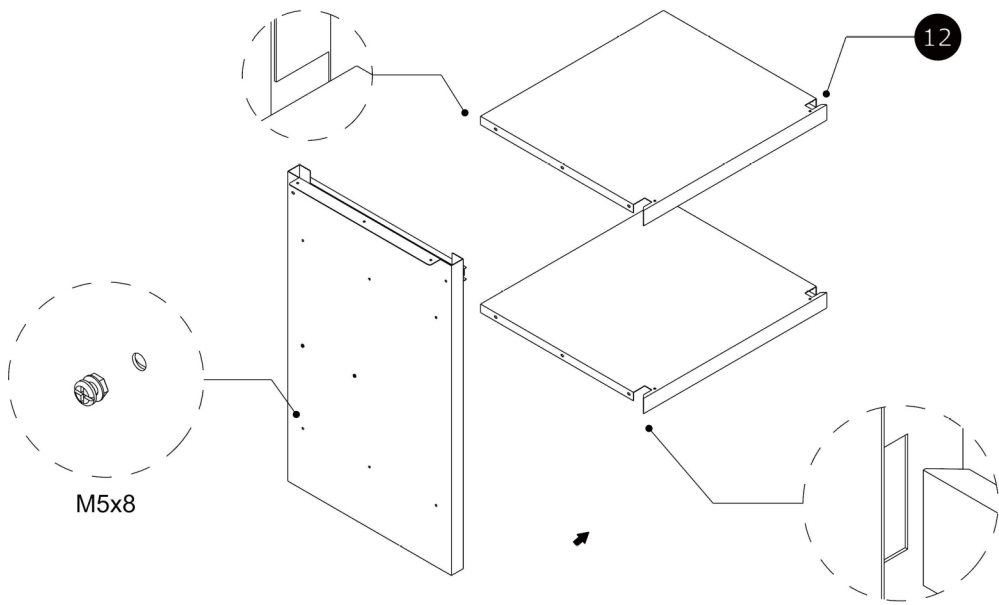
08



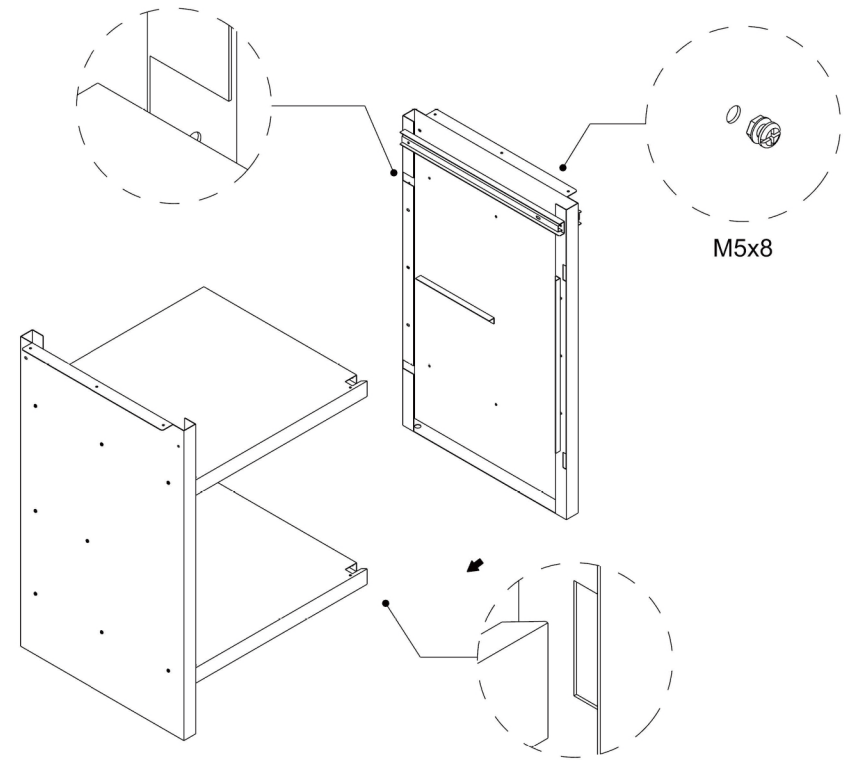
09



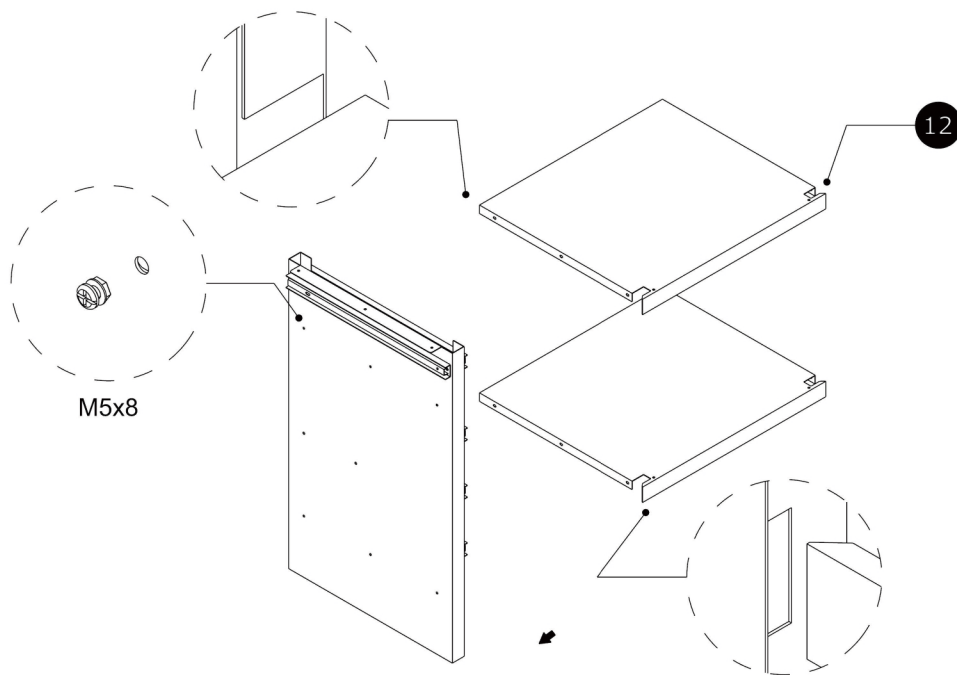
10



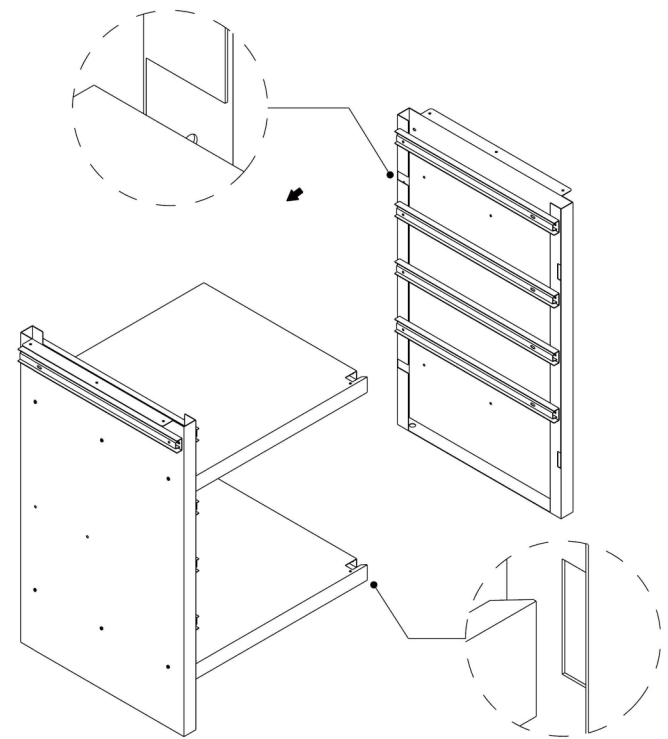
11



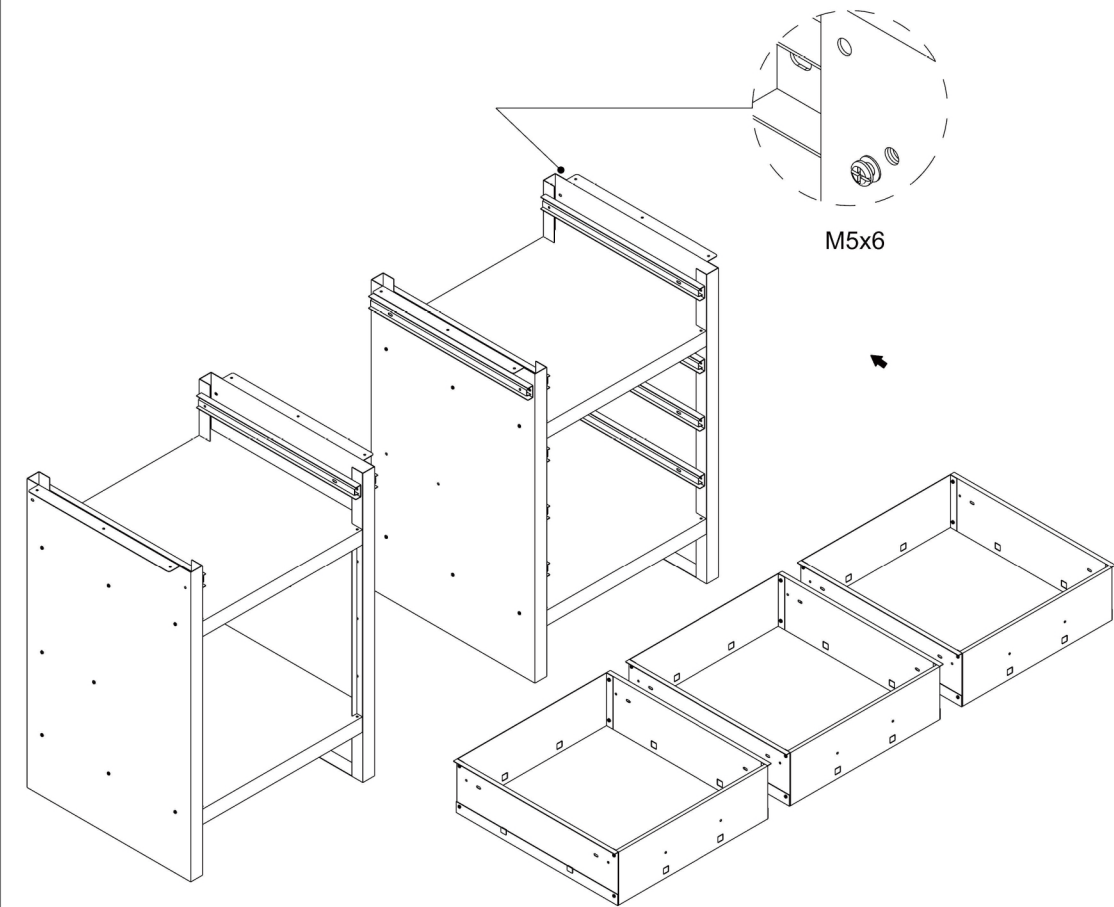
12



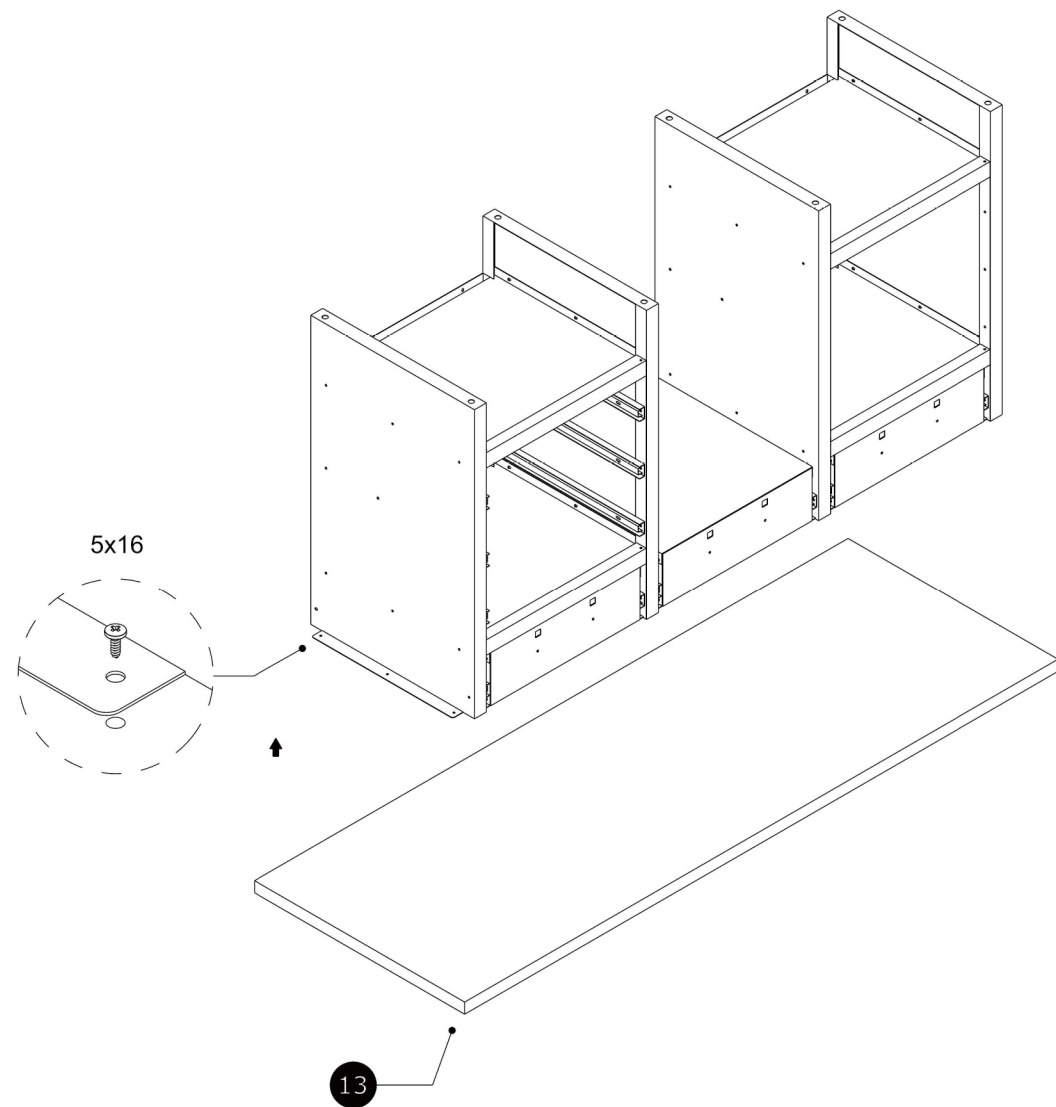
13



14



15



16

