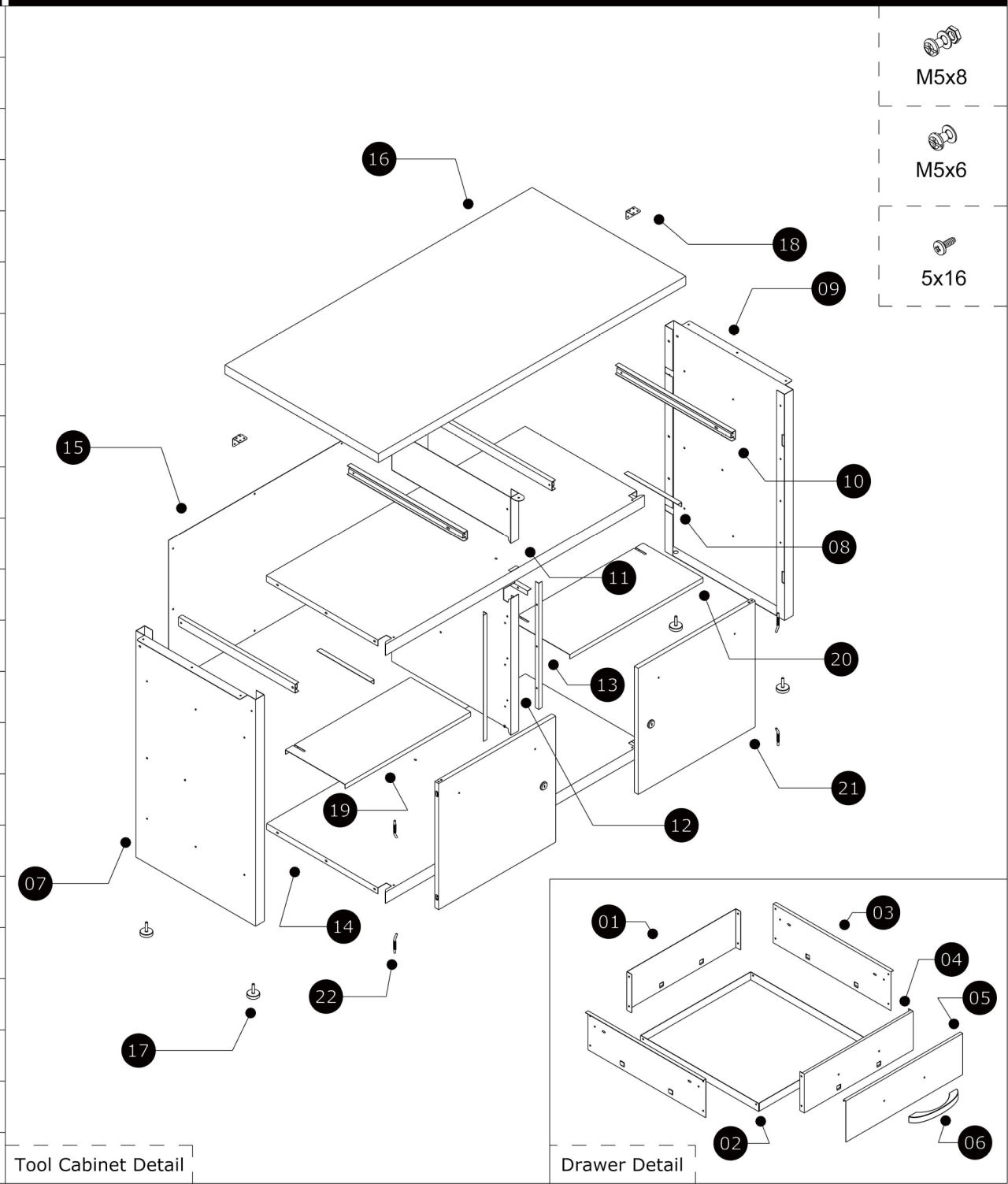


Dílenský pracovní stůl EASY 3
0503082120060712740

Bill of Material

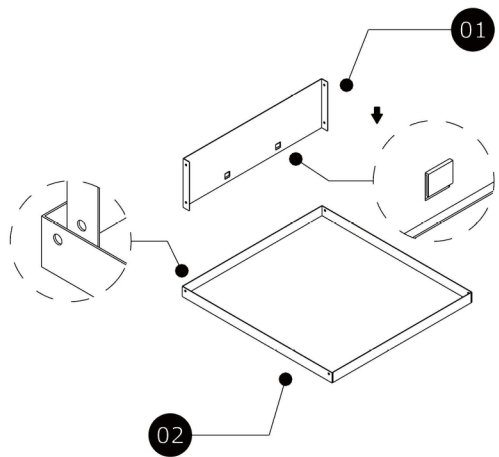
Explosive Drawing

No.	Parts	Dimension in mm (LxWxD)	Quantity
01	Drawer Back	438x125x19	2
02	Drawer Bottom	442x429x22	2
03	Drawer Side	428x126x10	4
04	Drawer Front	438x125x17	2
05	Drawer Surface Panel	457x139x15	2
06	Drawer Handle	44x198x22	2
07	Side Board 1	770x467x65	1
08	L-Plate	210x15x15	4
09	Side Board 2	770x467x65	1
10	Drawer Slide	35x460x9	4
11	Upper Middle Side Board	522x144x30	1
12	Bottom Middle Side Board	462x462x30	1
13	Door Stop Trail	418x18x12	4
14	Shelf Board	1030x464x37	2
15	Back Board	1025x482x0.6	1
16	Wooden Worktop	1200x600x30	1
17	Height Adjustable Leveler	Ø36	4
18	Mounting Angle	30x30x1.2	2
19	Left Clap Board	496x223x15	1
20	Right Clap Board	496x223x15	1
21	Door	460x423x15	2
22	Door Spindle	50xØ5	4

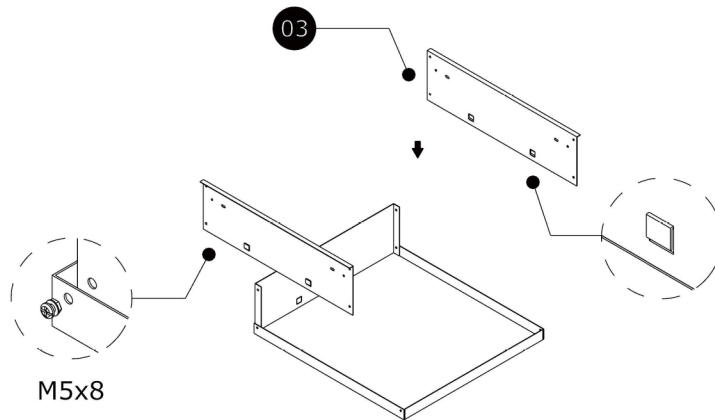


Tool Cabinet Detail

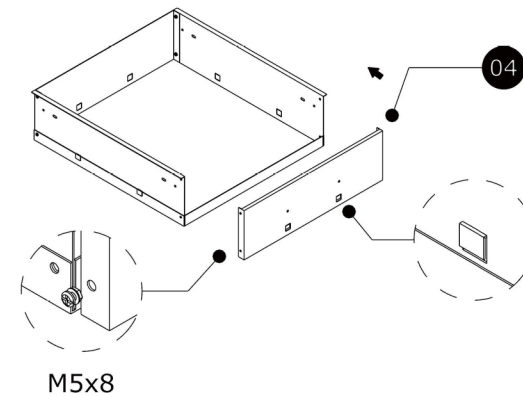
Drawer Detail



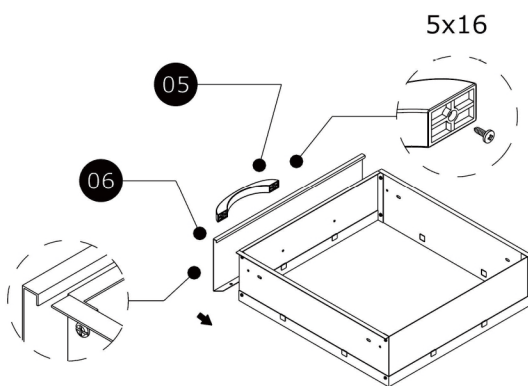
01



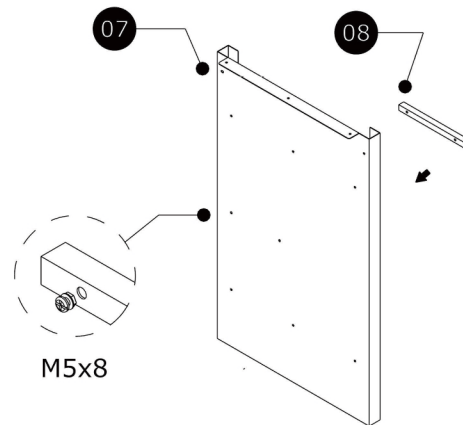
02



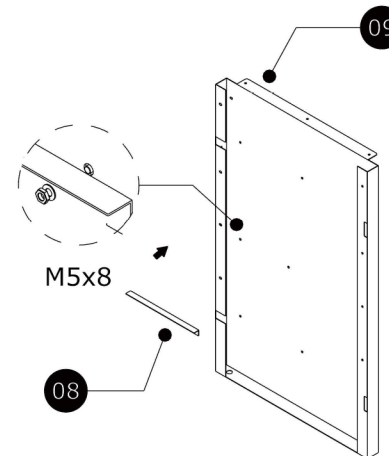
03



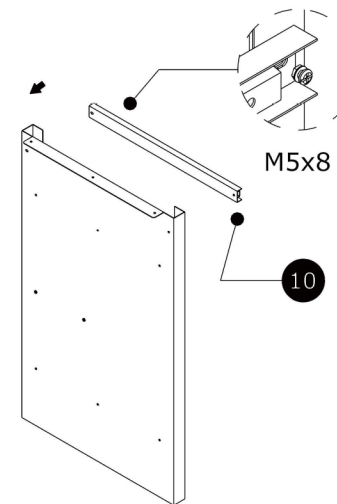
04



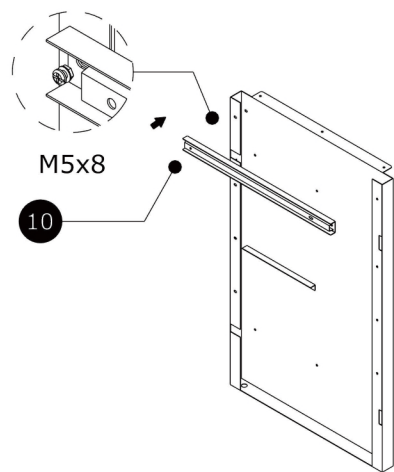
05



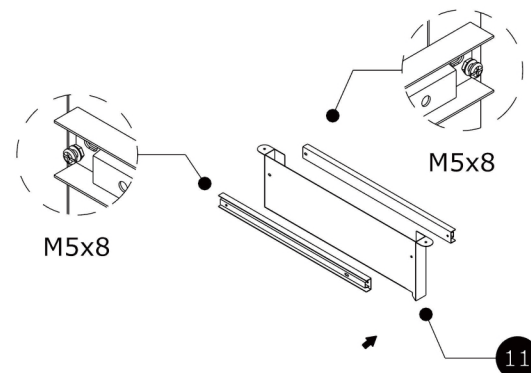
06



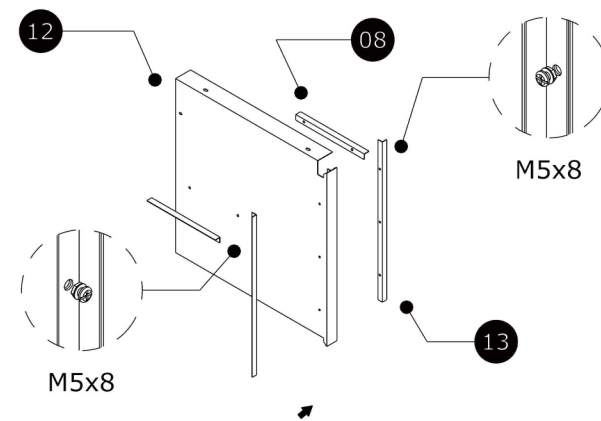
07



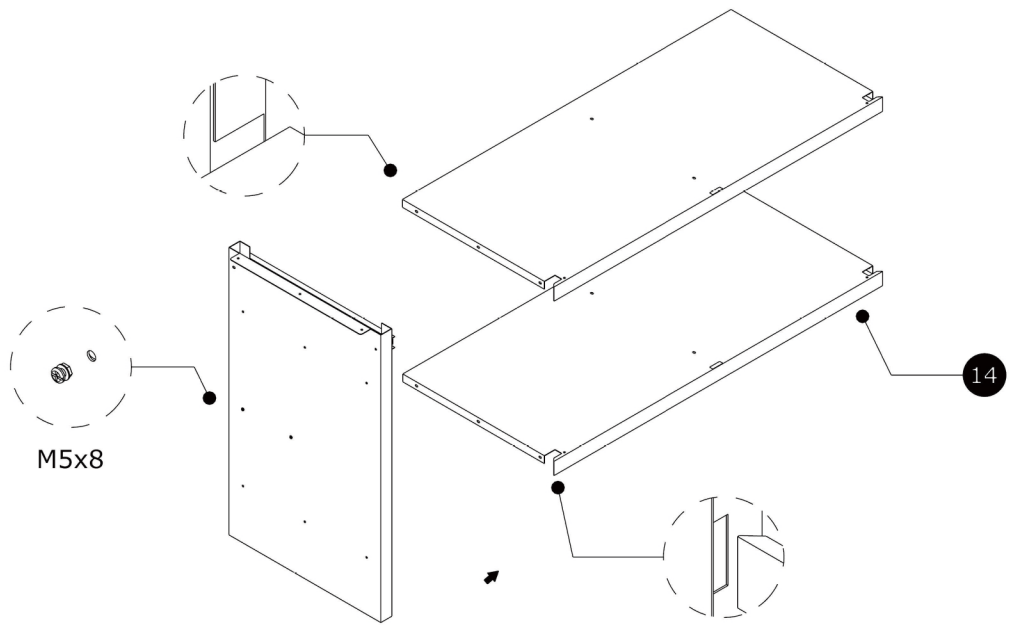
09



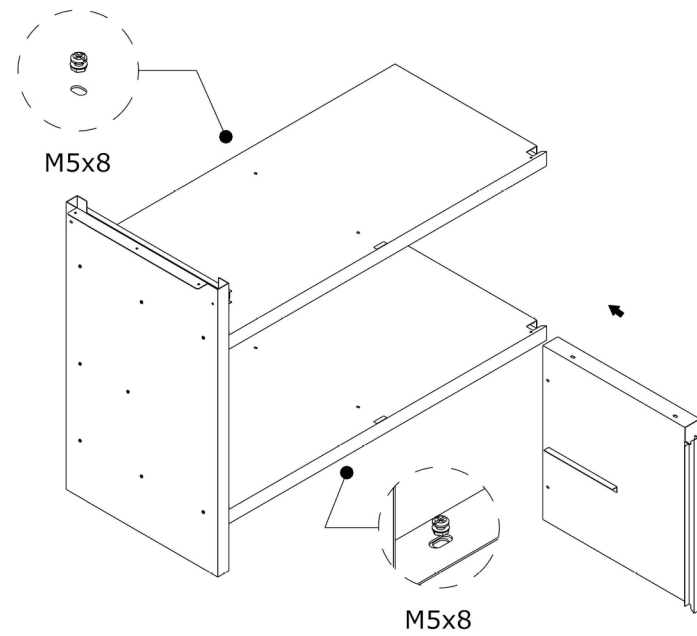
10



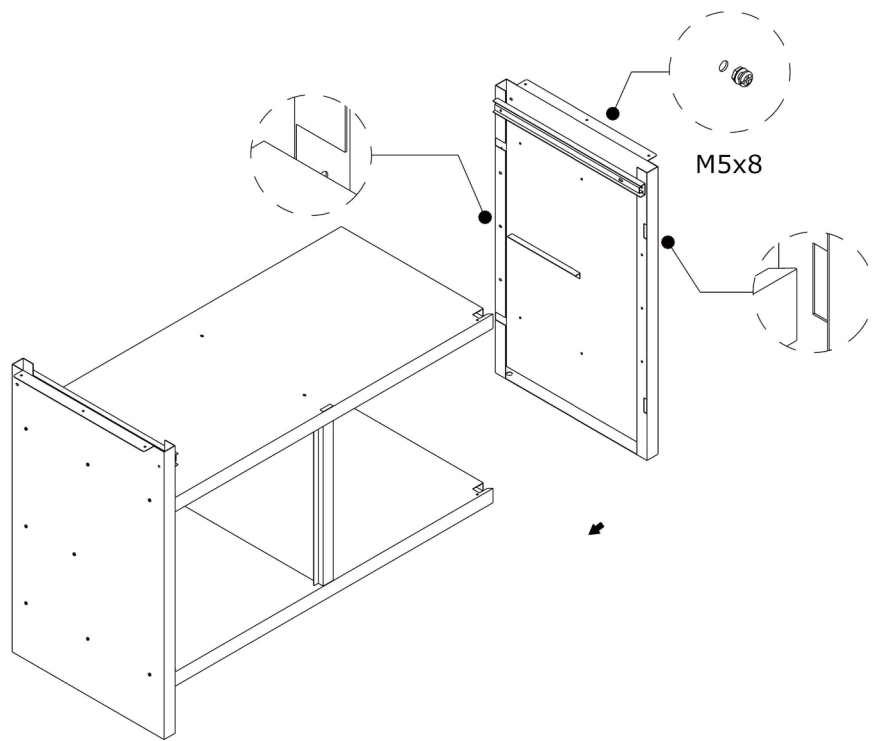
11



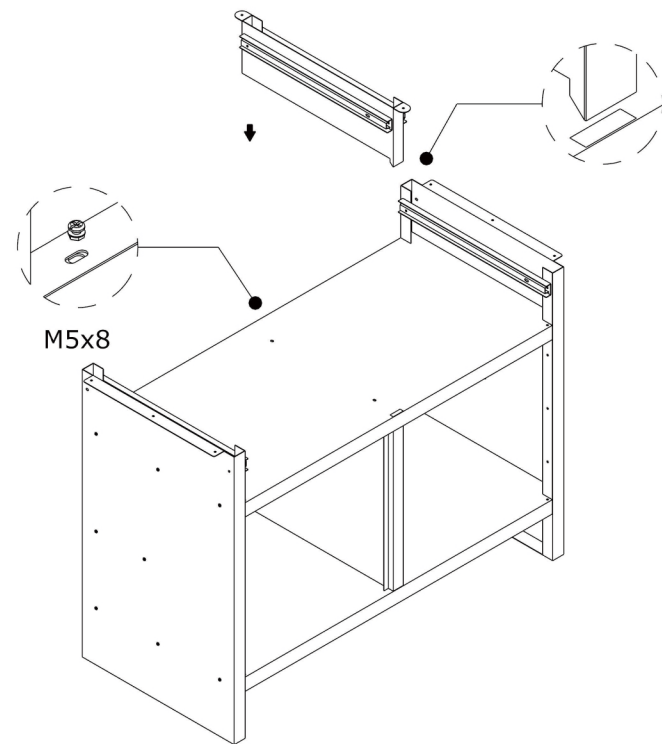
12



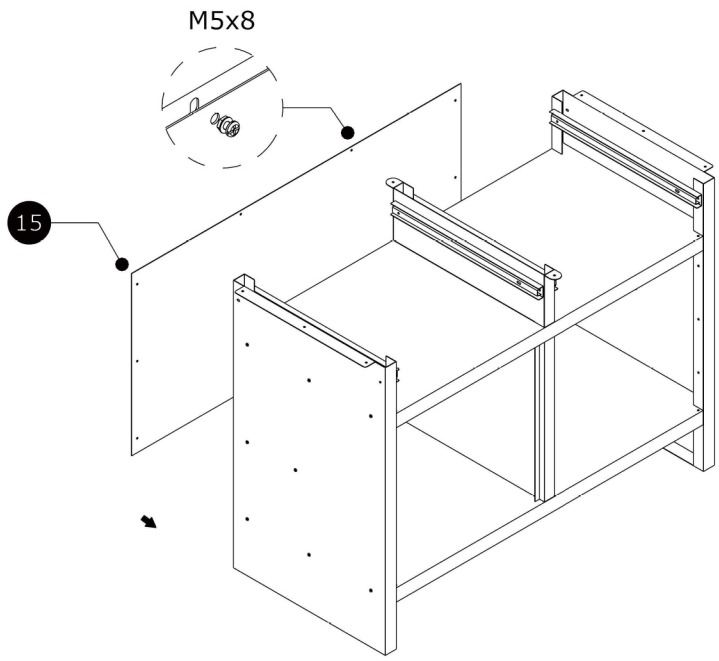
13



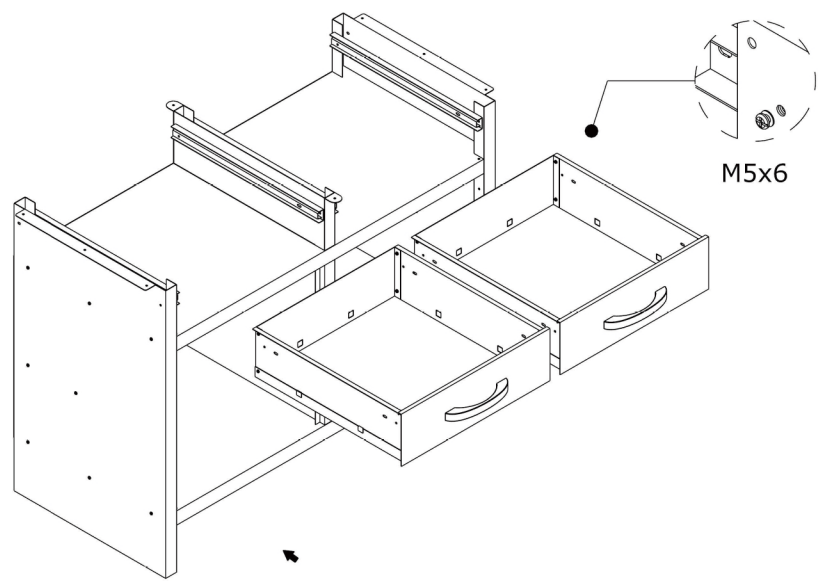
14



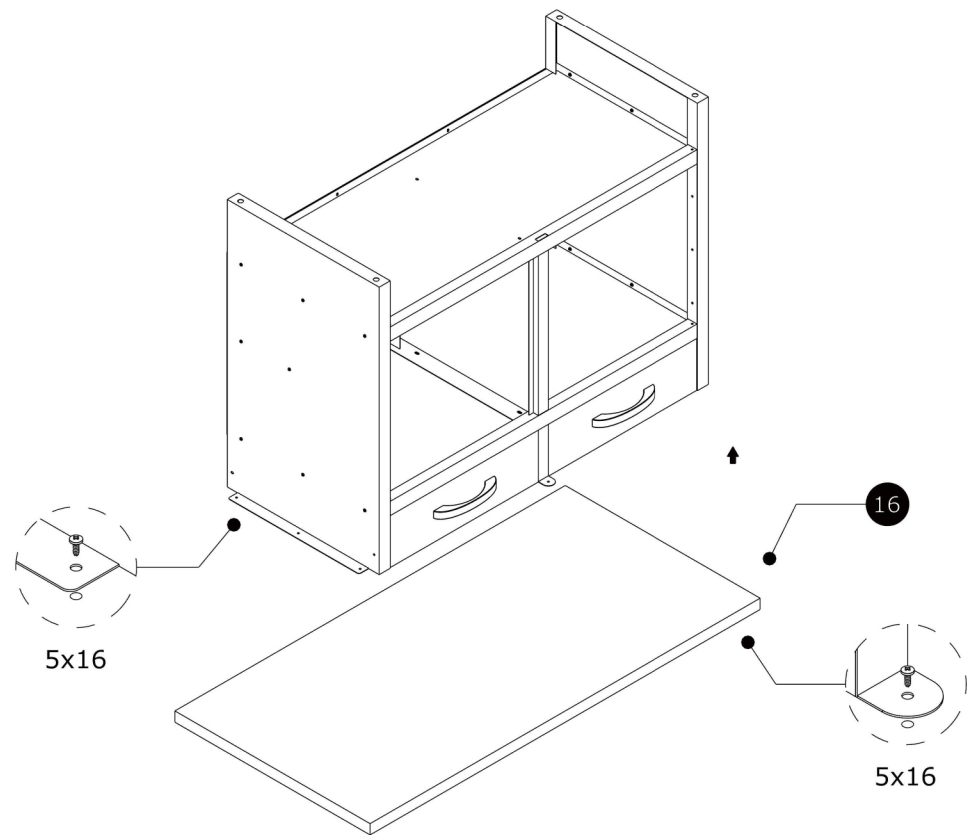
15



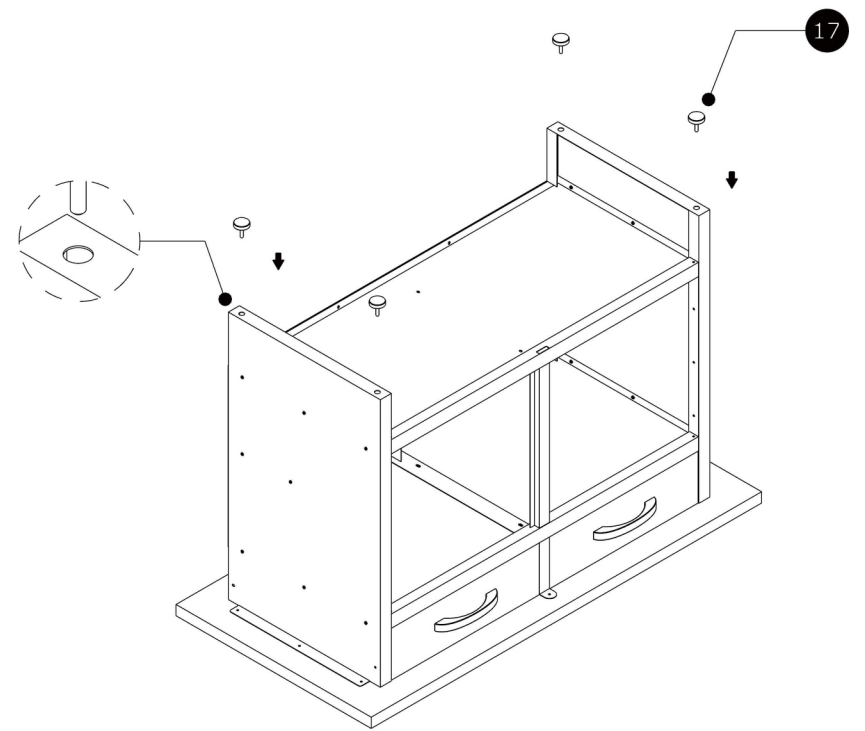
16



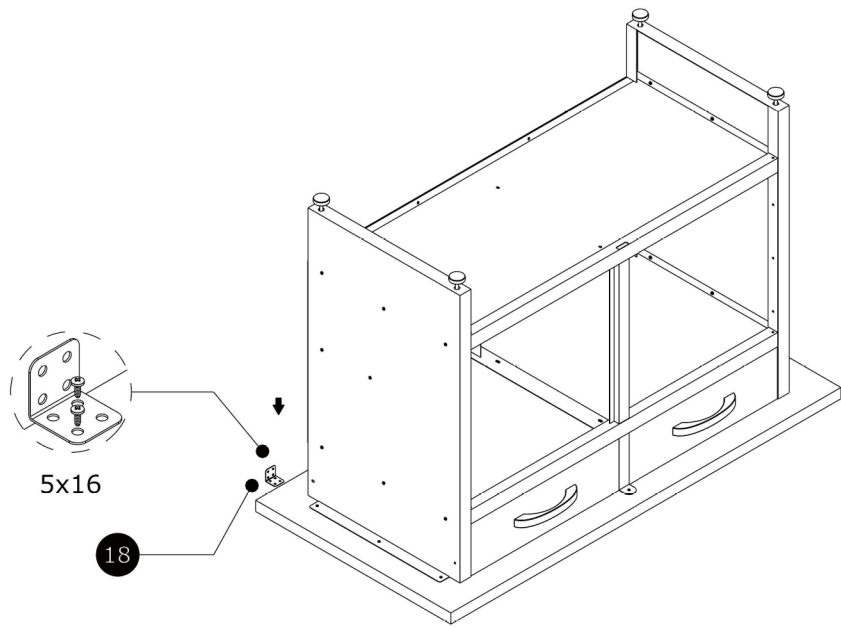
17



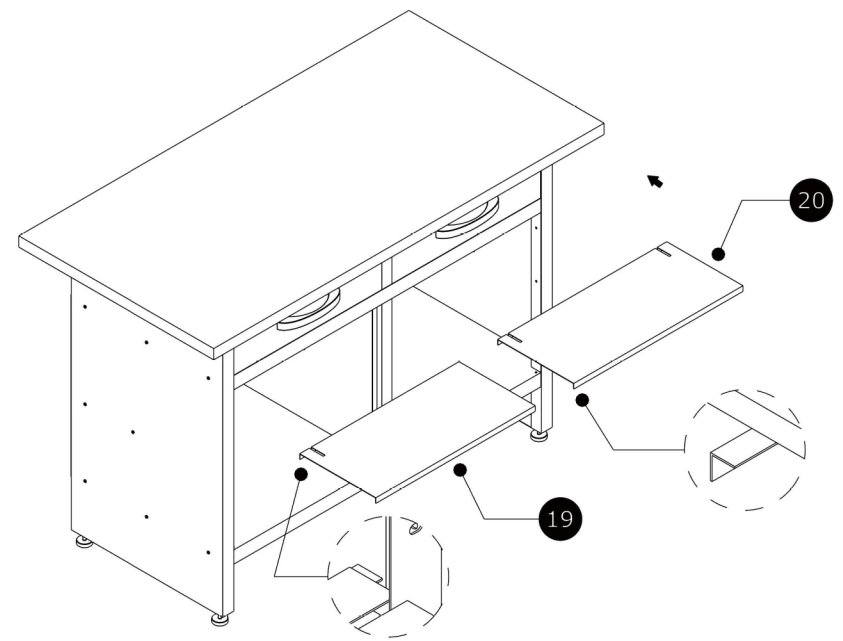
18



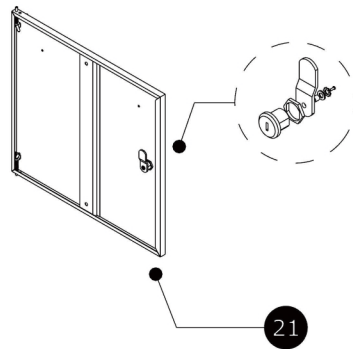
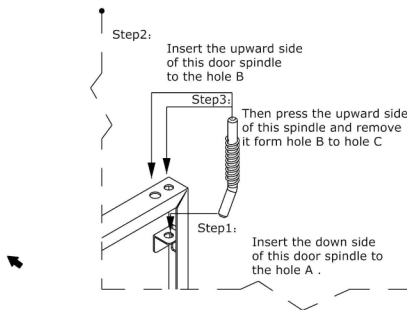
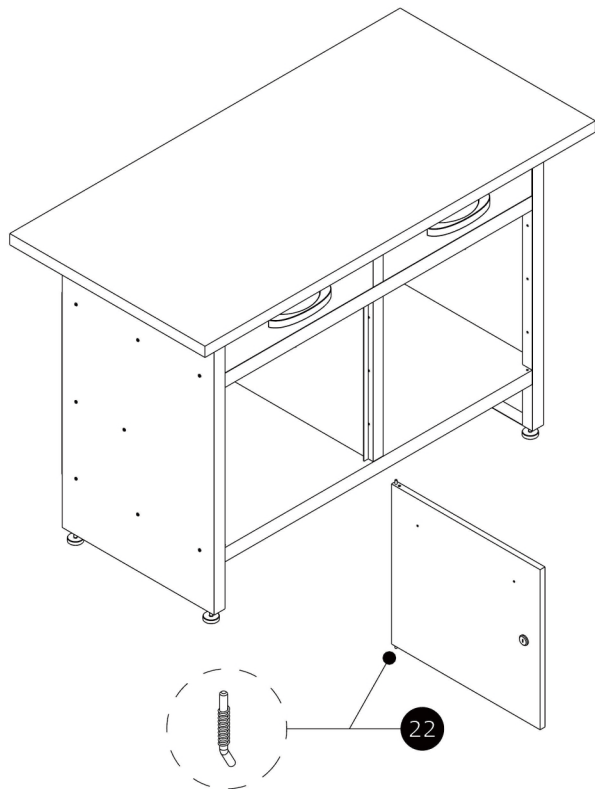
19



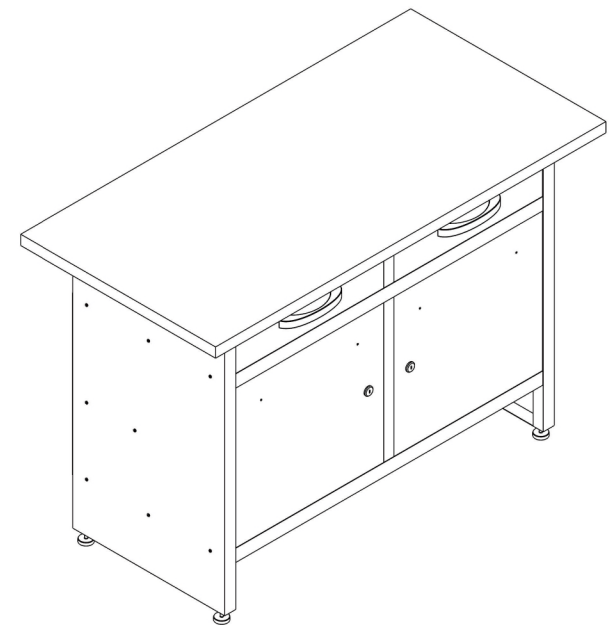
20



21



22



23