

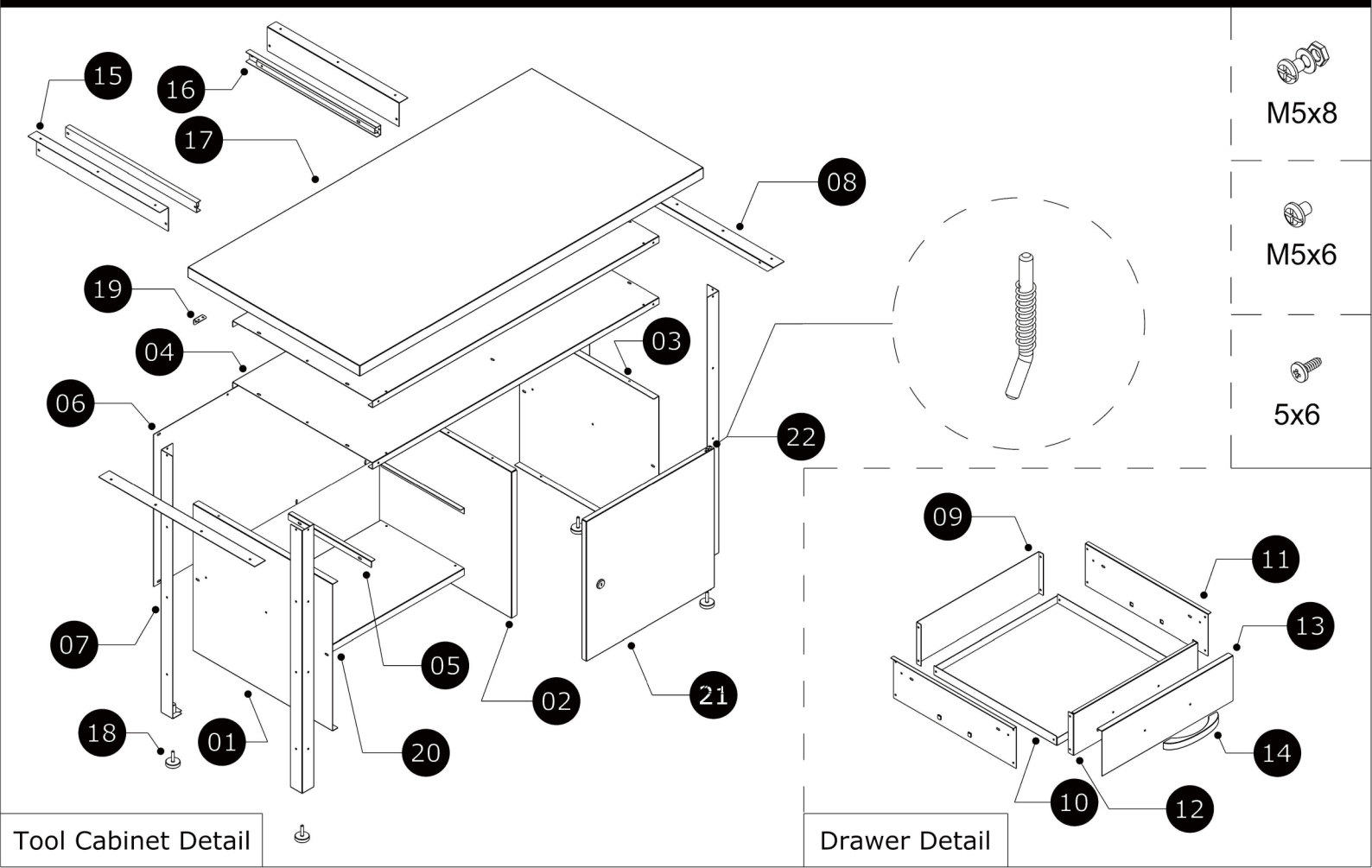


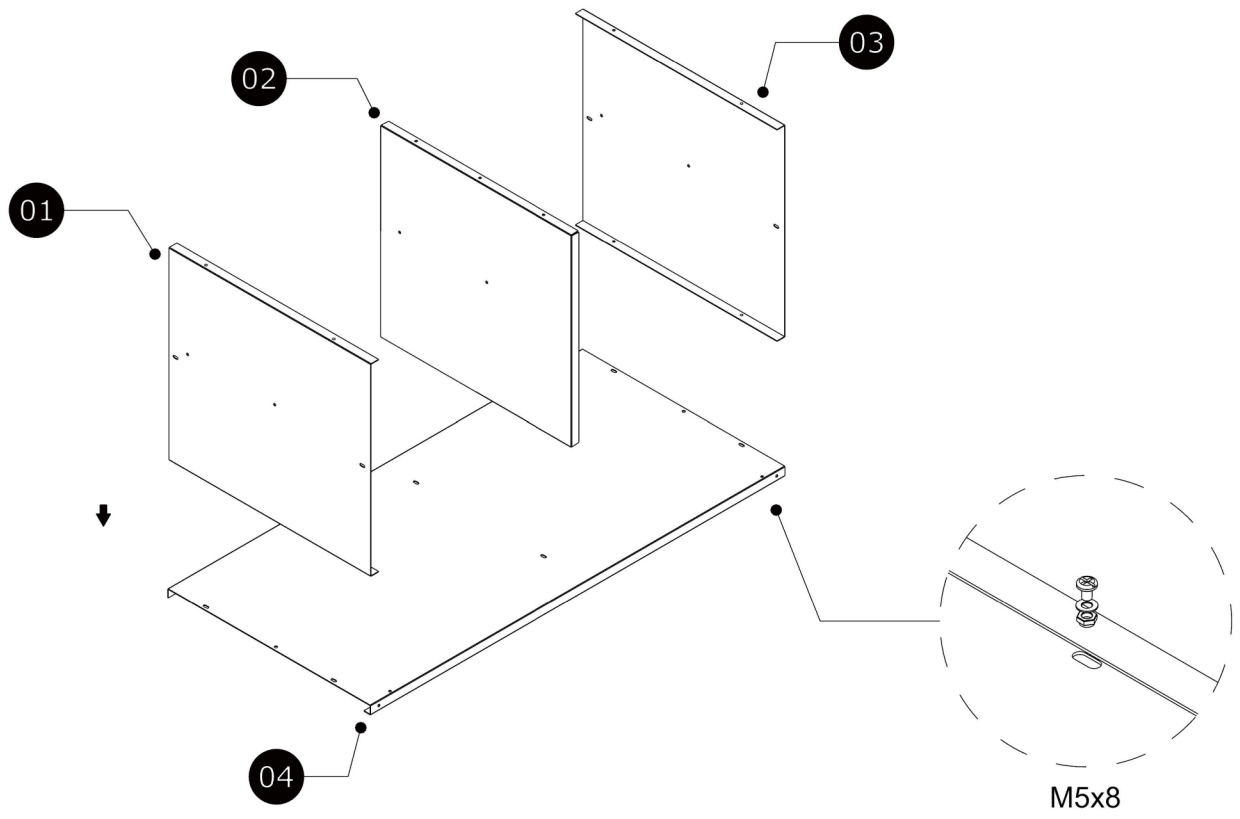
Dílnský pracovní stůl EASY 2
0502082120060712740

Bill of Material

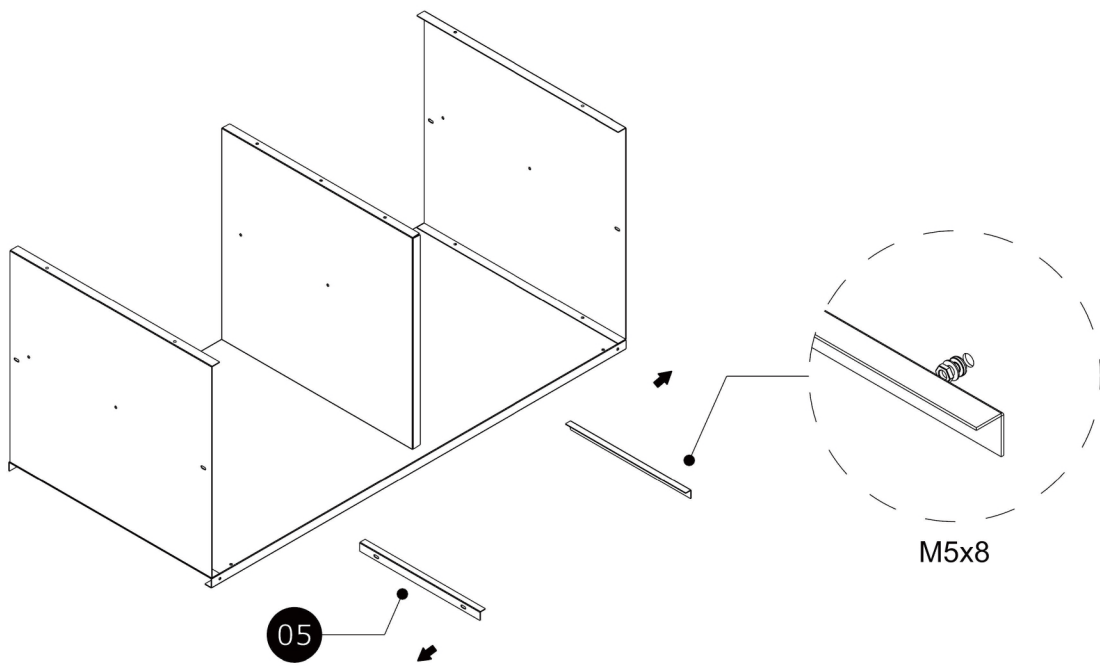
No.	Parts	Dimension in mm (LxWxD)	Quantity
01	Side Board 1	470 x 442 x 18	1
02	Middle Side Board	460 x 422 x 15	1
03	Side Board 2	470 x 442 x 18	1
04	Bottom /Top board	1000 x 476 x 18	2
05	L-Plate	210x15x15	2
06	Back Board	996x461x0.6	1
07	Leg	775 x 40 x 40	4
08	Leg Connection Frame	530 x 30 x 28	2
09	Drawer Back	438 x 125 x 19	1
10	Drawer Bottom	442 x 429 x 22	1
11	Drawer Side	428 x 126 x 10	2
12	Drawer Front	438 x 125 x 17	1
13	Drawer Surface Panel	457 x 139 x 15	1
14	Drawer Handle	44x198x22	1
15	Drawer Hanger	460 x 72 x 14	2
16	Drawer Slide	35x460x9	2
17	Melamine Coated Wooden Worktop	1200 x 600 x 32	1
18	Height Adjustable Leveler	φ43	4
19	Mounting Angle	32x25x1.2	2
20	Clapboard	507 x 297 x 20	1
21	Door	460 x 422 x 15	1
22	Door Spindle	50xØ5	2

Explosive Drawing

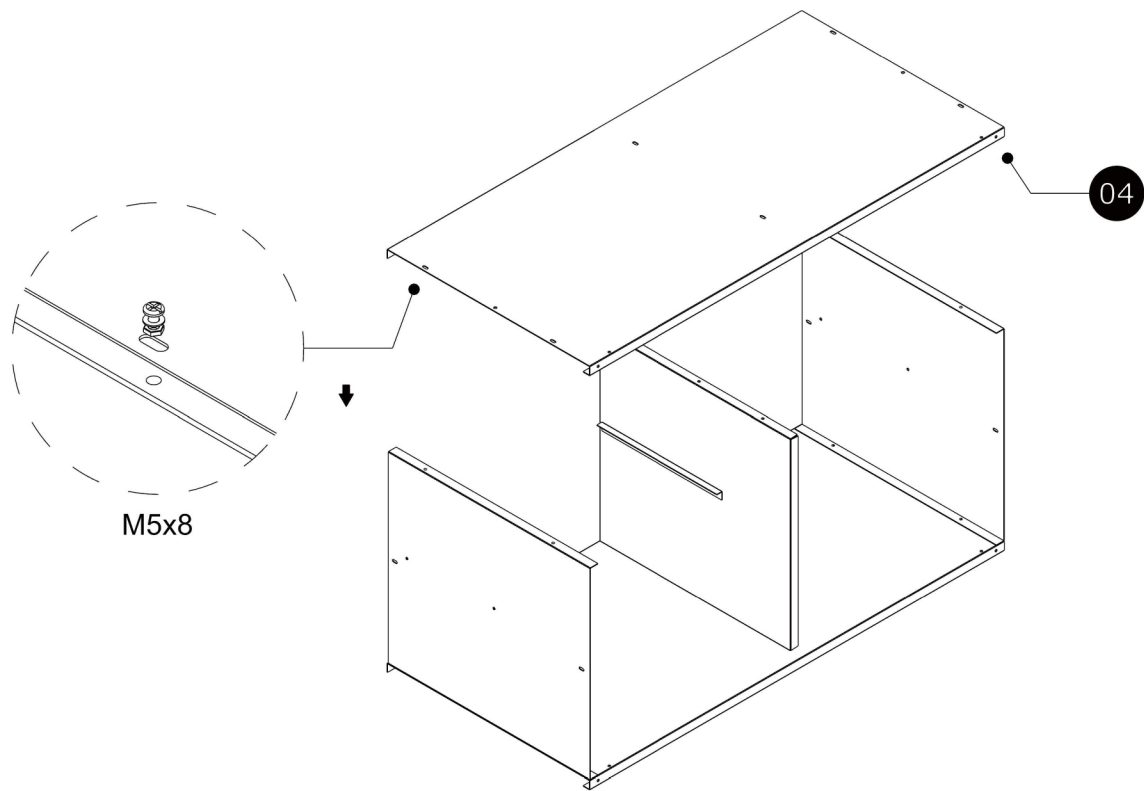




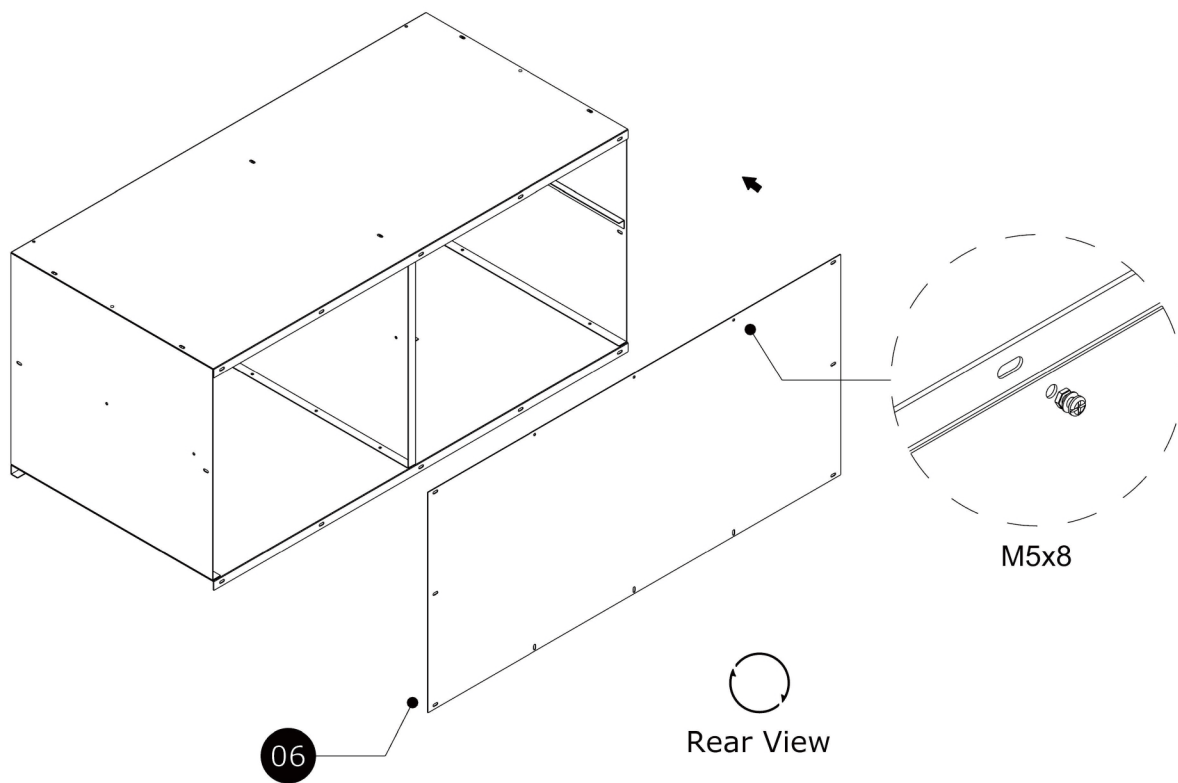
01



02

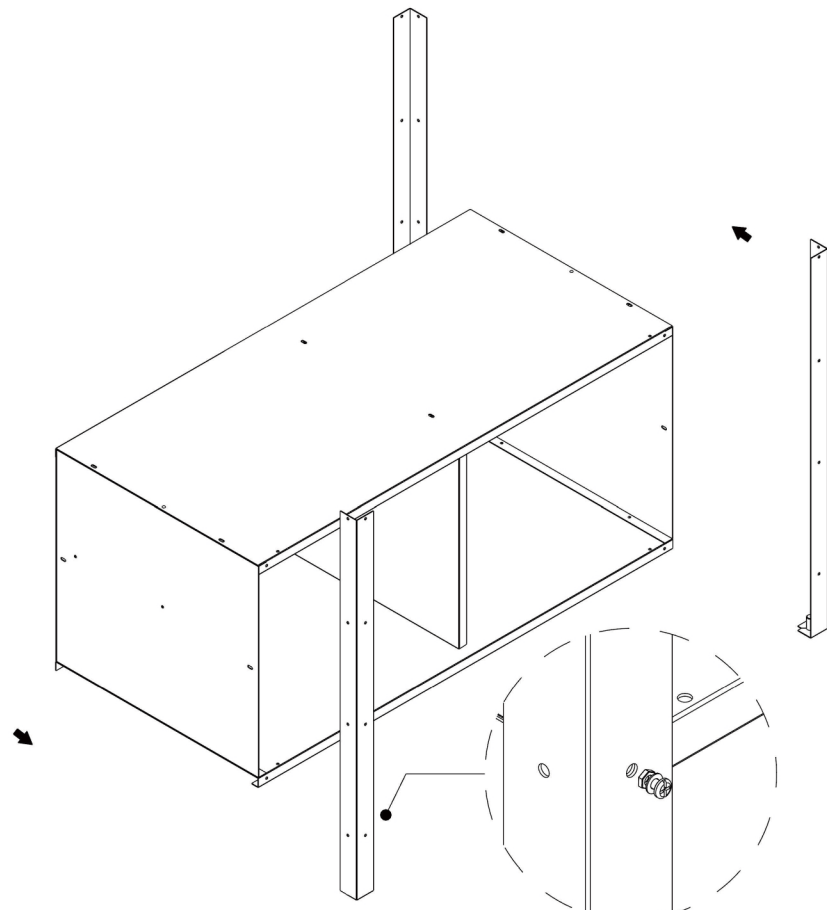


03



04

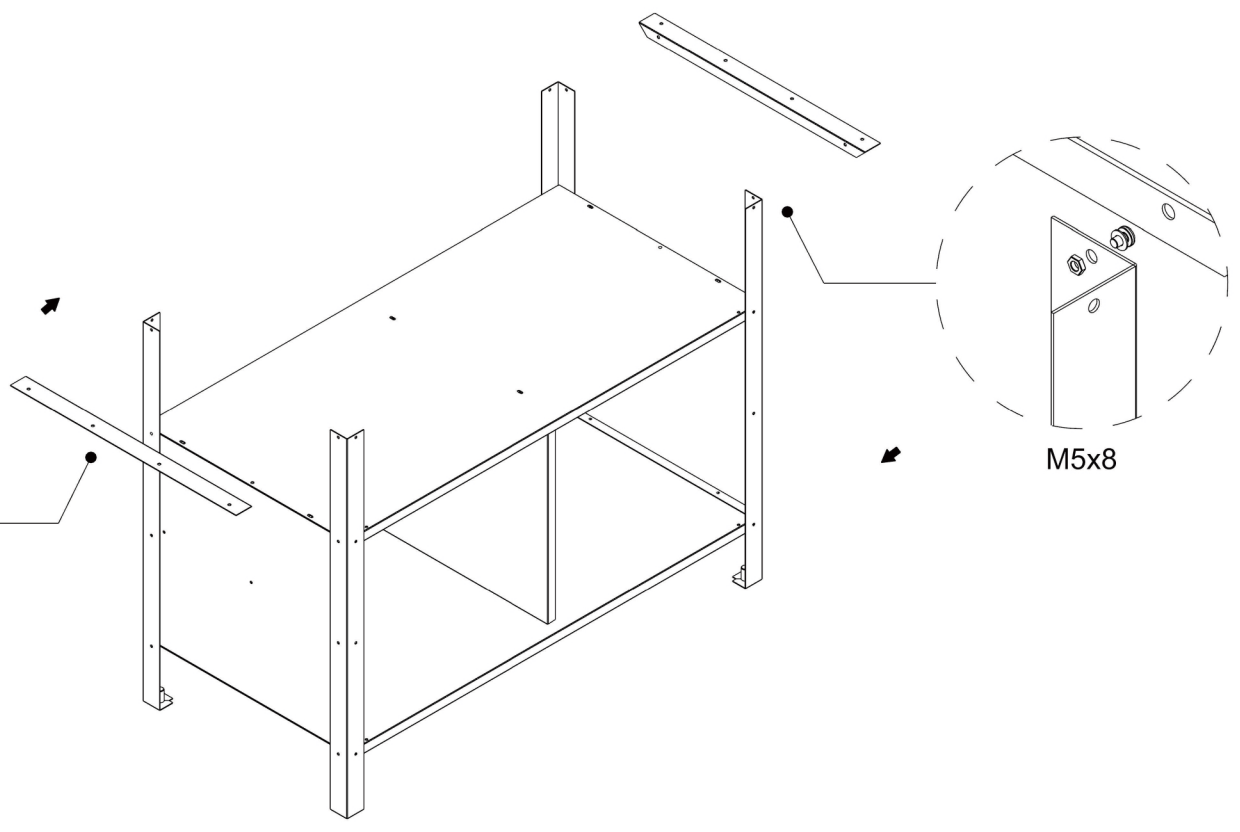
07



M5x8

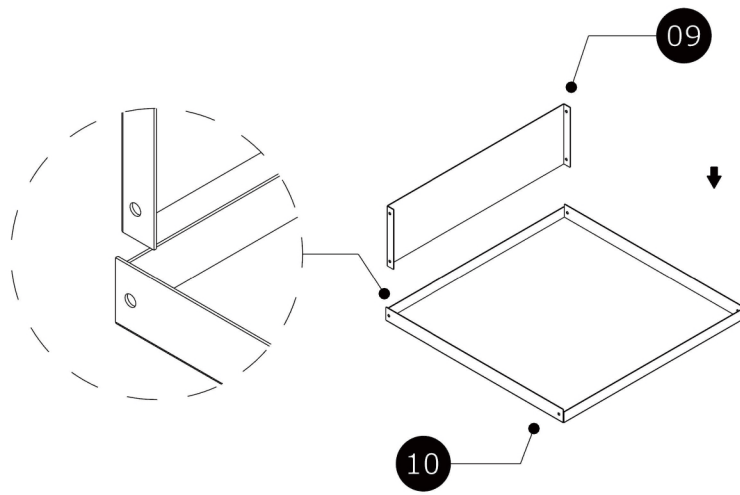
05

08

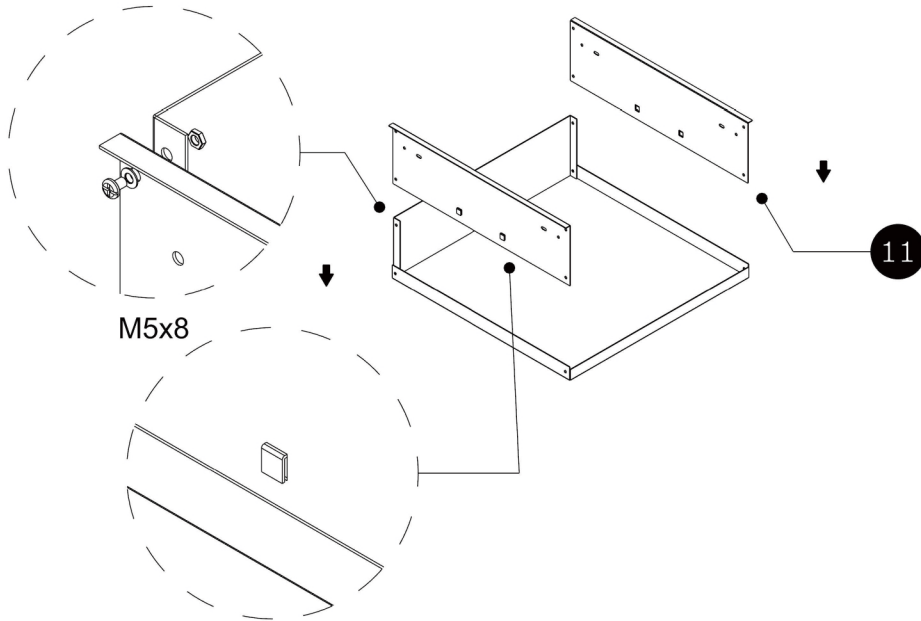


M5x8

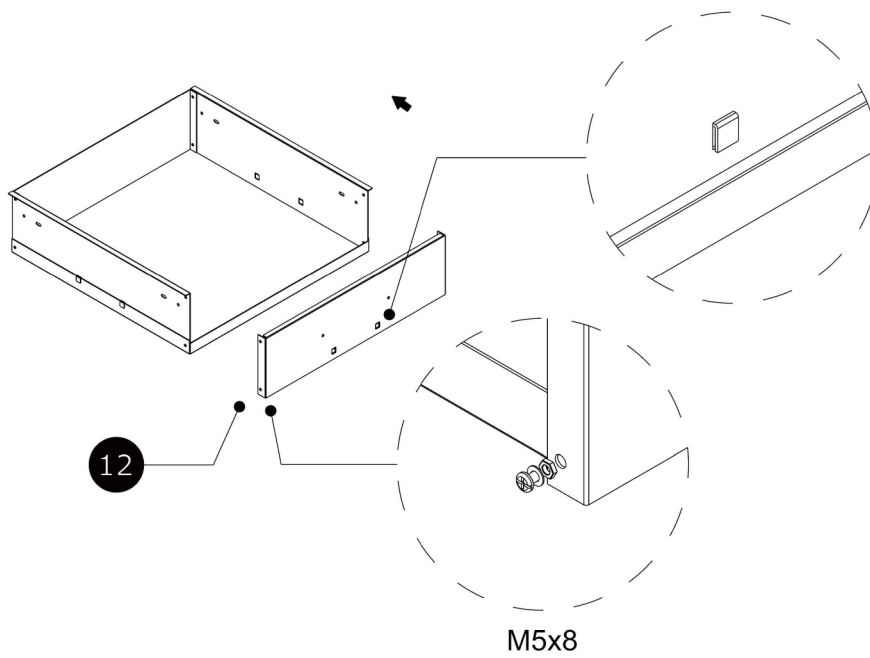
06



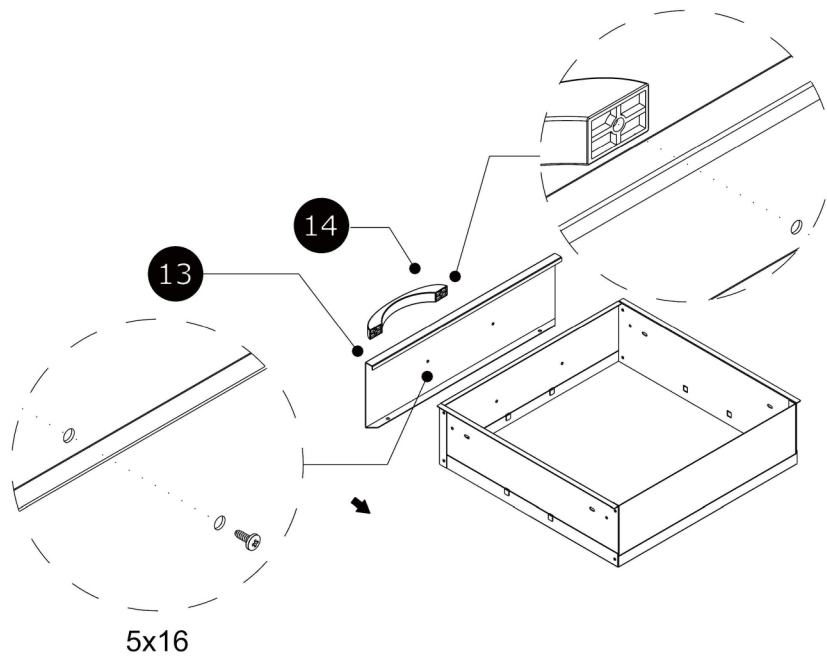
07



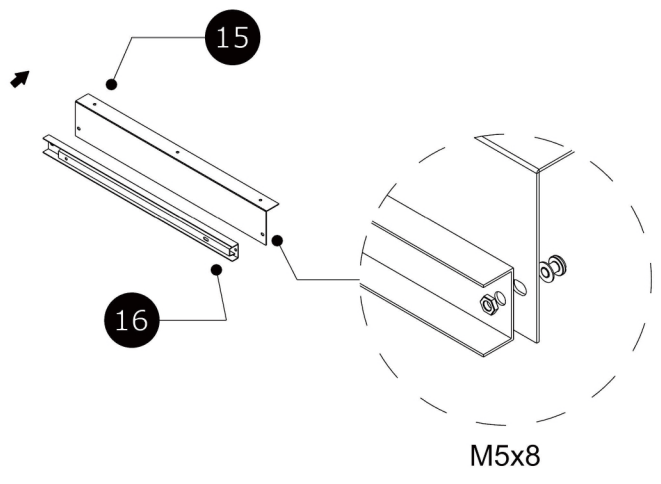
08



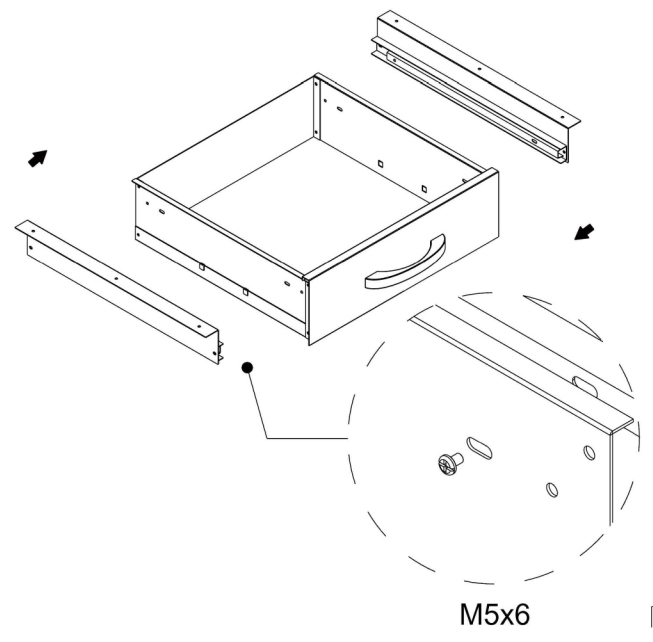
09



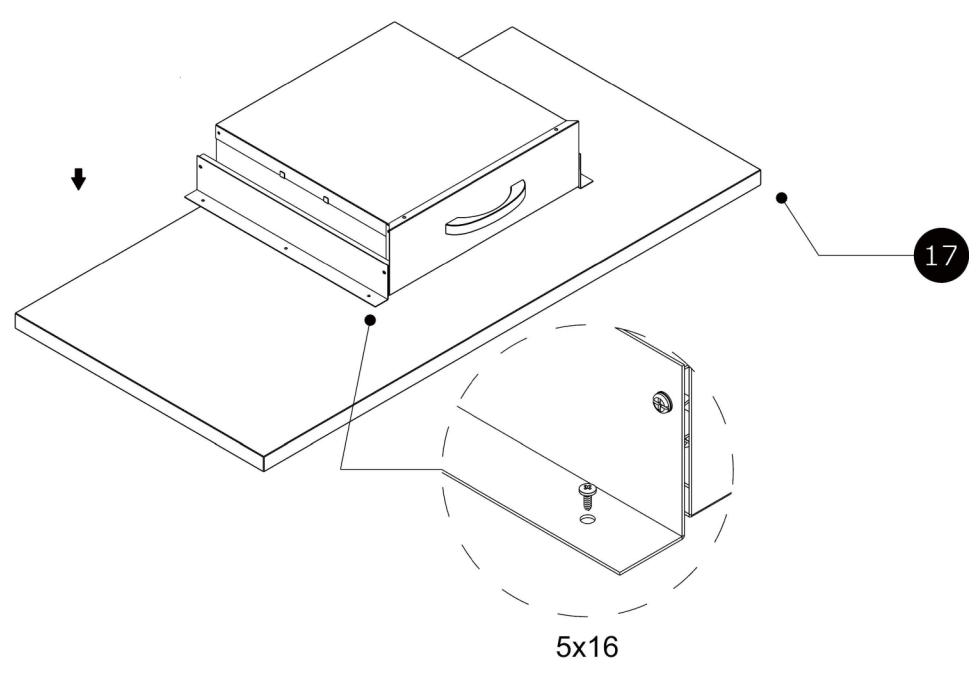
10



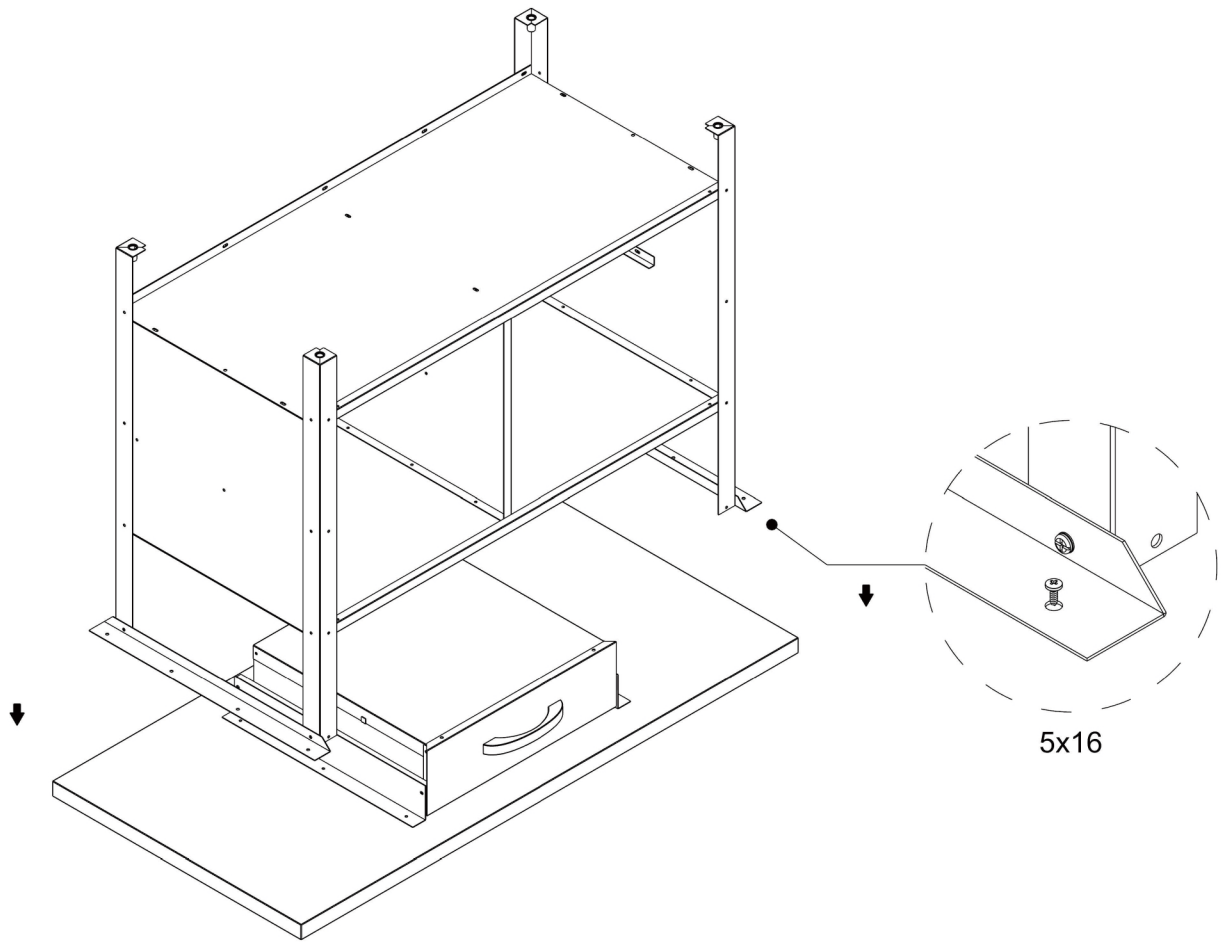
11



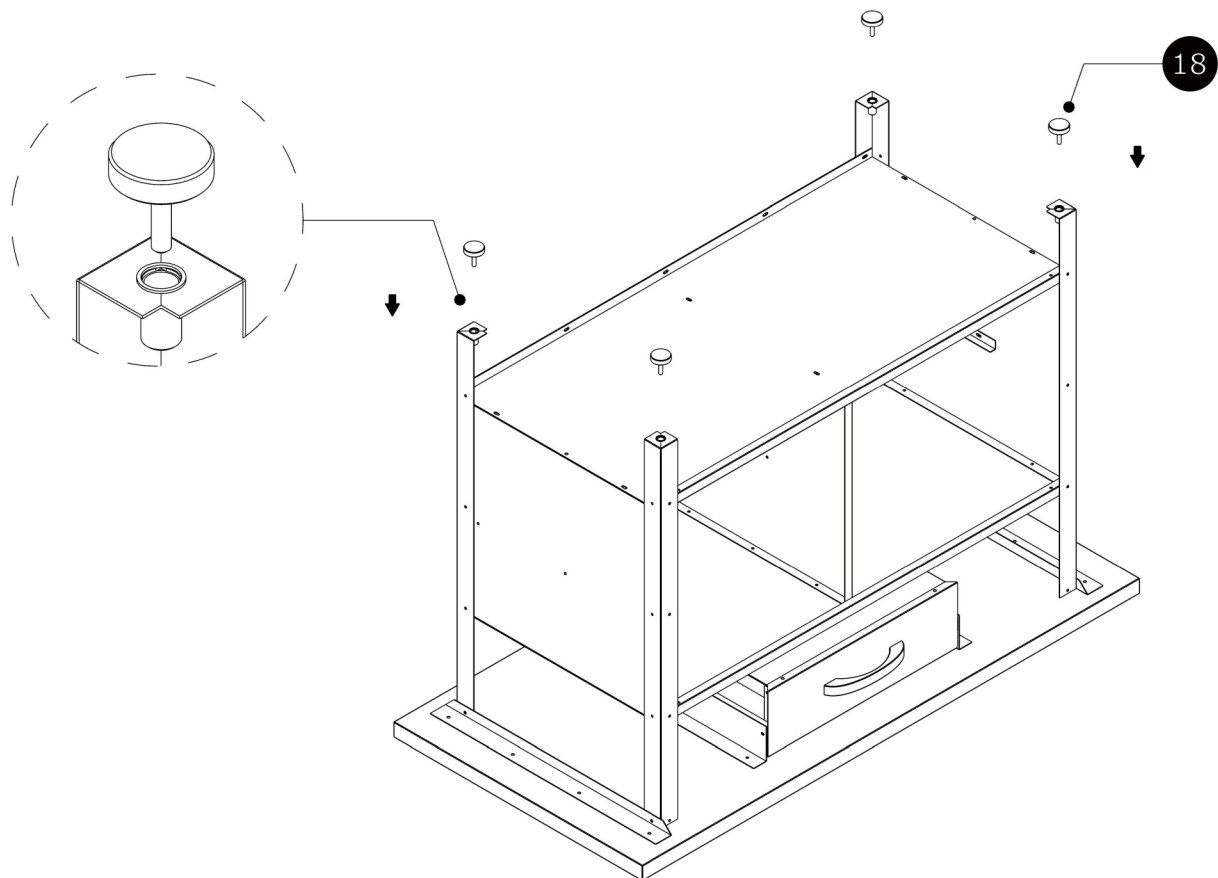
12



13



14



15

